



SERVICE MANUAL

CTM-635

21" CTV

TEAC AUSTRALIA

TECH MEMO #TV#

05.08.94

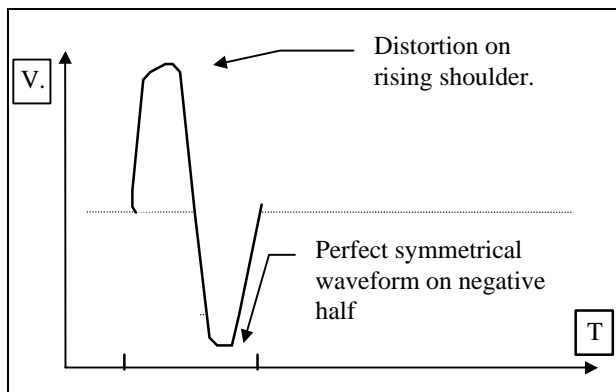
Model: CTM511/5S, CTM631/5S, CTM711/5S - Stereo Televisions

Symptom: The instability of the Stereo Identification Signal on some high quality live stereo TV programs will cause split-second Sound distortion that may be confused as 'Sibilance'. Replacement of C015 will improve filtering of the ID signal and remove any interference causing the effect. Stereo LED indicators may or may not switch off when distortion is audible. However, re-transmitted programs from overseas, movies and alike will not show any symptoms.

Instruction: Incoming RF signal must be clean, high quality live transmission to verify if a TV is effected (use the NEWS or ABC Kids programs for example).

Check Stereo ID signal (~117.5Hz) present on [TP001] Pin 5 of TDA 3803A (IC001). The sinewave found should be at least 7.0 Vpp (AC) and may vary slightly in amplitude from station to station. Instability of this wave is synchronised with speech and music and will show as a milli-second collapse.

Carefully remove Stereo PCB, disconnection all connectors and the link to the main PCB (going to R633). Replace C015 from the original 10nF with a 1nF Capacitor . Reconnect all connectors and the link, check [TP001] again.



[TP001] must be peaked to its maximum amplitude with T001 and thereafter readjusted to a more stable waveform with a shoulder distortion, as shown typically 6.5Vpp and 8.5ms , (use a suitable adjustment tool and *do not* readjust any other potentiometers on the Stereo PCB).

Please note that the correct adjustment of T001 must result in a distinctive 'shoulder distortion' on the positive rising edge of the sinewave, the falling side is undistorted. This is not the maximum amplitude adjustment as outlined in the service manual!

Should you require any more information, please fax your enquiry on (03) 646 5554 to the attention of the Technical Manager.

Zoltan Sekula
Technical Manager

TEAC AUSTRALIA

TECH MEMO

23.07.94

Model: CTM511/5S, CTM631/5S, CTM711/5S - Stereo Televisions

Symptom: All sets have in common a 12 Volt Zener Diode ((ZD 402 - 12V/1W) short and limiting Resistor (0.68 Ω and/or 6.2 Ω) open, or vertical collapse (TDA 3653B) and/or Horizontal output transistor (2SD1555 or 2SD1547) short.

Confirmation: Check B+ as 112V/(143V respectively CTM 7xx) up by ~ 30 to 40Volts
Check 12 Volt rail and if not there....
Check Zener Diode (ZD 402) for short (near Vertical heatsink)
(CTM511/515) Check R423 open
(CTM631/635, CTM 711/715) Check R435 open (near EHT TRX)

Instruction: Replace all faulty components and the following Capacitors in the Power supply.

Old Value	New Value	CTM 511/515	CTM 631/635	CTM 711/715
47uF/25V	47uF/63V	C909	C910	C910
10uF/50V	10uF/100V	C910	C908	C908

Also check the B+ rail capacitor and replace it if the powersupply failed as outlined above.

Model	Location	Original:	Replace with:
CTM511 or 515	C915	47uF/160V	47uF/160V
CTM631 or 635	C926	22uF/160V	22uF/160V
CTM711 or 715	C925	100uF/150V	100uF/160V

Special Note:

When a unit is repaired for the symptoms as described above and the Capacitors are not replaced, because it is not apparent that they are faulty, it will result in a repeated breakdown within days after completion of the repair.

It is imperative that all Televisions with the above model number, irrespective of the original complaint, have the outlined power supply Capacitors replaced as a matter of preventative service.

Should you require any more information, please fax your enquiry on (03) 646 5554 to the attention of the Technical Manager.

SPECIFICATION

SYSTEM	:	PAL- B/G	(FOR AUSTRALIA)
---- TV SECTION ----			
CHANNEL COVERAGE	VHF LOW	:	0-5 CH.
	VHF HIGH	:	5A-11 CH.
	UHF	:	21-65 CH.
FREQUENCY RANGE	VHF LOW	:	47-108 MHz
	VHF HIGH	:	137-230 MHz
	UHF	:	470-830 MHz
VISION/SOUND SEPARATION	:	5.5	MHz
FREQUENCY VIDEO IF	:	38.9	MHz
	SOUND IF	:	33.4 MHz
STEREO SENSITIVITY	:	40	dBuV
SENSITIVITY	VHF LOW	:	47 dBuV
(AT 30dB S/N)	VHF HIGH	:	47 dBuV
	UHF	:	50 dBuV
SCANNING LINES	:	625	lines
	HORIZONTAL	:	15625 Hz
	VERTICAL	:	50 Hz
OUTPUT POWER MAXIMUM	:	4500	mW
	10% THD	:	3000 mW
C R T .	:	25"	DIAGONAL, 110° DEGREES DEFLECTION ANGLE
SPEAKER	:	4"16OHM	5W x 2
ANTENNAL EXTERNAL	:	75	OHM
POWER CONSUMPTION	:	120	WATT MAX

VIF ALIGNMENT

A. Preparation Step (See Fig. 1)

- (i) Connect AGC bias voltage to pin 10 at IC102, the DC supply should be turned off this time.
- (ii) Connect 14V B+ bias voltage to D404 (-) and Ground.
- (iii) Connect 14V B+ bias voltage to C923 (+) and Ground.
- (iv) Connect sweep generator to tuner test point and Ground.

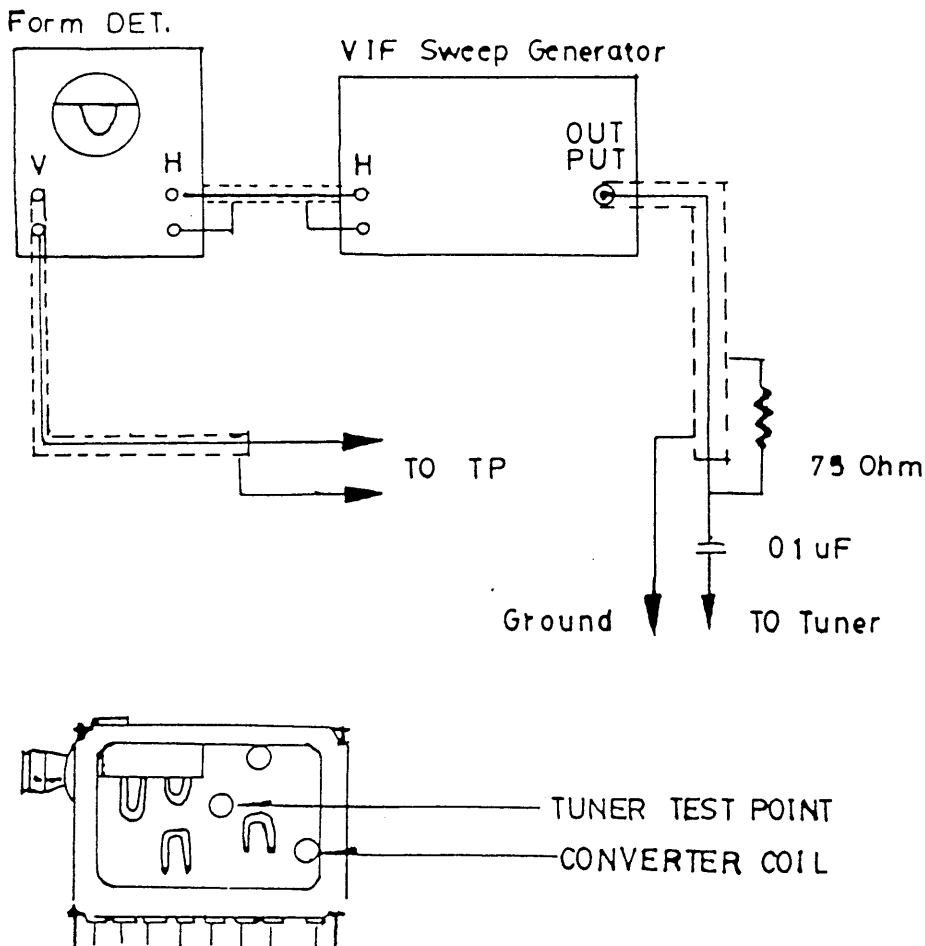


Fig.1

B. Tank Coil Alignment Step (See Fig. 2)

- (i) Calibrate the Division of waveform Detector equal to 100 mV per div.
- (ii) The output of sweep generator should be -50dB.
- (iii) Connect the waveform detector between L103 and Ground.
- (iv) Adjust AGC bias until the output waveform equal to 1V p.p. (10 div.)

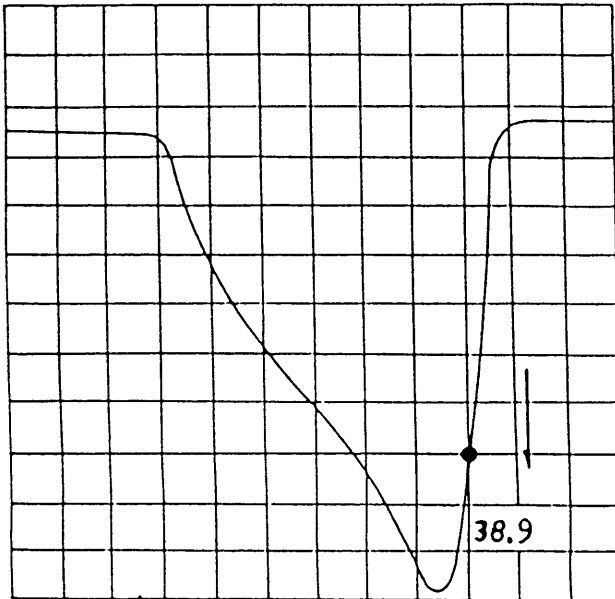


Fig.2

- (v) Turn T101 until the marker 38.0MHz falls to the lowest point as Fig.2.

D. AFC ALIGNMENT

- (i) Connect Philips Pattern Generator to tuner test point and Ground (Frequency is 38.9 MHz color bar)
- (ii) Connect Digital multimeter to PIN 18 at IC102.
- (iii) Adjust T101 to obtain a DC 6V.

E. SOUND TANK COIL ALIGNMENT

- (i) Connect Philips Pattern Generator to tuner test point and Ground (Frequency is 38.9 MHz color bar)
- (ii) Connect Digital multimeter to PIN 12 at IC101.
- (iii) Adjust T103 to obtain a DC 2.8V.

C. VIF ALIGNMENT

- (i) Connect waveform detector to L103 and Ground.
- (ii) Connect 100 ohm resistor between TP103 and TP104.
- (iii) Adjust T105 until obtain the maximum waveform amplitude.
(If Provided.)
- (iv) Reduce output level of sweep generator to -50dB.
- (v) Adjust AGC bias to maintain the waveform achieve 1V p-p.
- (vi) Adjust tuner coervtor coil to obtain the waveform as Fig.3.

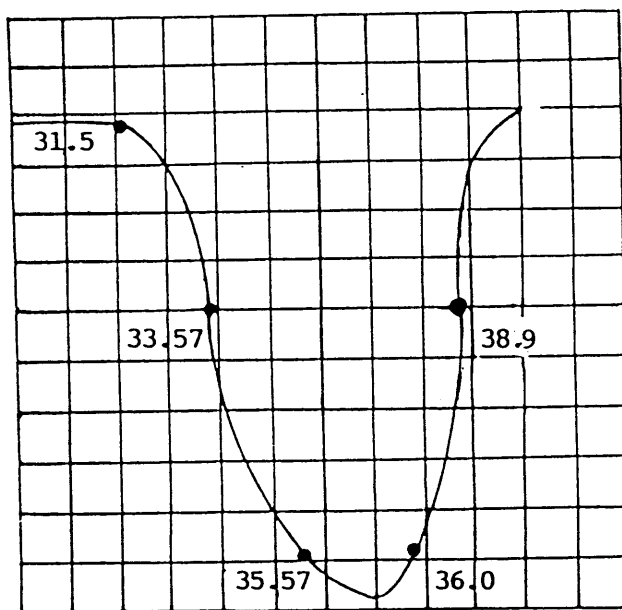
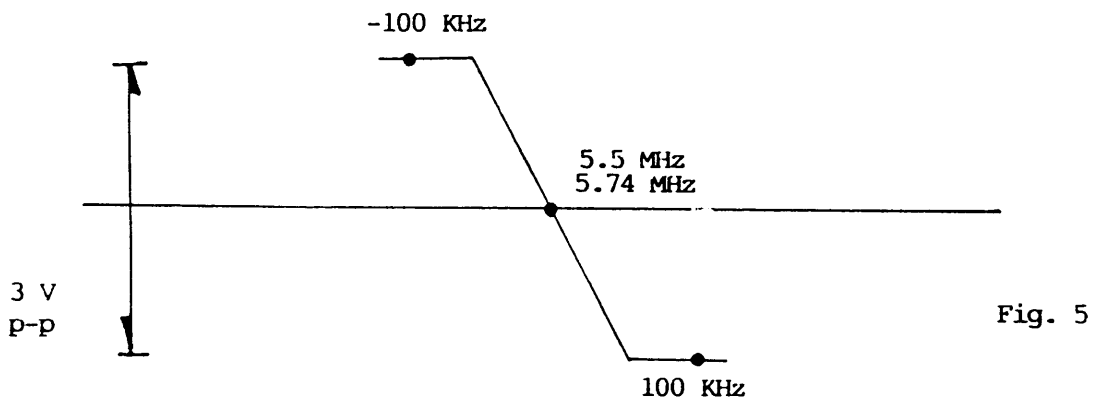


Fig. 3

- F. SIF ALIGNMENT

- (i) Connect the sweep generator to TP105.
- (ii) Connect waveform detect to PIN 1 and PIN 3 at CN306
- (iii) Connect AGC Bias voltage to TP101.
- (iv) The output of sweep generator should be -40dB.
- (v) Adjust T104 and T102 to obtain the waveform as Fig.5.



G. STEREO and Dual Sound Alignment

- (1) Receive color bar pattern (with stereo and Dual Sound).
- (2) Connect oscilloscope to TP001, adjust VR001 with stereo signal to get a max waveform.
- (3) Connect oscilloscope to TP002, adjust VR003 with dual signal to get a max waveform.
- (4) Adjust T001 to get a max amplitude on both dual and stereo.

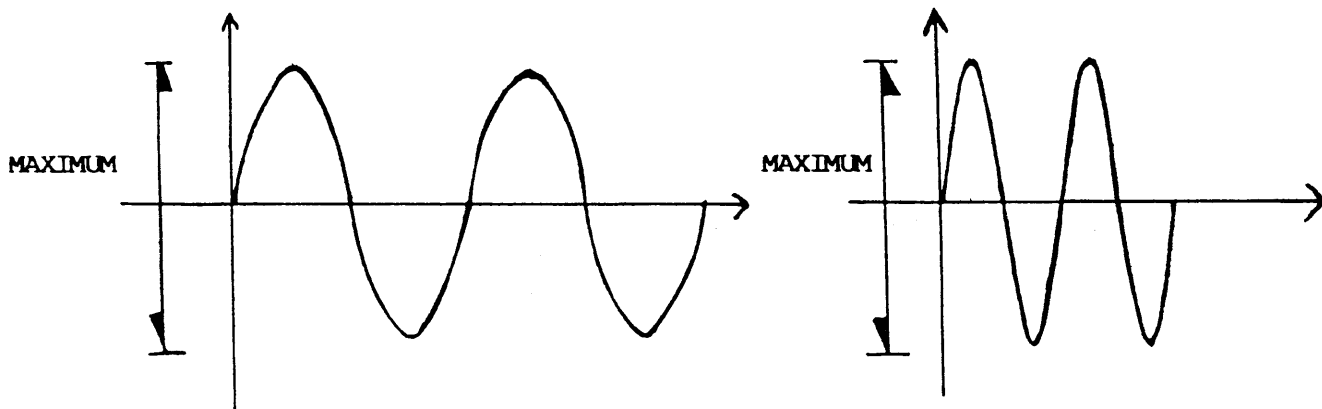


Fig. 6

H. Separation Alignment

- (1) Receive color bar pattern (with stereo sound, L 3 KHz R 1 KHz).
- (2) Connect Digital multimeter to PIN 1 at CN201 and ground.
- (3) Adjust volume control to obtain a 0.89 Vrms.
- (4) Switch off the left channel signal (3 KHz) from the signal generator.
- (5) Adjust VR002 to make a minimum output level.

B+ ADJUSTMENT

- 1) Connect a digital volt meter to TPB+ and ground.
- 2) Set Brightness, contrast and colour to minimum.
- 3) Adjust VR901 and obtain a reading of 143V.

HORIZONTAL CIRCUIT ADJUSTMENT

- 1) Receive Monoscope Pattern input signal 80dBuV.
- 2) Connect terminal 25 pin of IC102 and the ground with the Elect.Cap. 10/16
- 3) Adjust VR103 to obtain the picture running at center.
- 4) Adjust VR102 to obtain the picture at center.

VERTICAL CIRCUIT ADJUSTMENT

- 1) Receive the Monoscope Pattern.
- 2) Adjust V-size (VR401) to obtain a normal picture.

WHITE BALANCE ALIGNMENT STEP

(deguss the picture by deguassing coil if necessary)

- 1) Receive a channel from pattern generator, and switch off all pattern.
- 2) Turn the brightness, contrast and colour control to minimum.
- 3) Turn VR551,552,553,554,555 to central position.
- 4) Turn VR301 to central position and get a 2V DC voltage at L301.
- 5) Adjust screen control on flyback transformer, until no emission on CRT picture.
- 6) Adjust VR553,554,555 to get cut off balance. (black level balance)
- 7) Adjust VR552,551 to get white balance. (9300k)

SUB-BRIGHTNESS ALIGNMENT

- 1) Receive a colour bar pattern.
- 2) Turn the brightness, contrast and colour to minimum.
- 3) Adjust VR301 until the brightest bar can just be seen.

FOCUS ALIGNMENT

- 1) Set the brightness and contrast to middle position.
- 2) Receive a monoscope pattern.
- 3) Adjust focus control to obtain sharpest picture.

AGC ALIGNMENT

- 1) Receive CH69 (UHF) and input field strength in 63dB \pm 3dB input.
- 2) Adjust VR101 to the point where noise is disappeared.

EAST-WEST CORRECTION ADJUSTMENT

FOR PAL SYSTEM

- 1) Receive a pattern with centre cross and crosshatch.
- 2) After vertical size adjustment, adjust VR403 for picture size, adjust VR402 for correction.

FOR NTSC SYSTEM

- 1) Receive a pattern with centre cross and crosshatch from AV input.
- 2) Adjust VR404 for E-S correction.

VOLTAGE TABLE FOR IC

SYMBOL PIN NO.	IC302 (V)	IC303 (V)	IC304 (V)	IC305 (V)	IC306 (V)
1	3.649	5.2	3.29	4.1	5.56
2	0	0	11.8	0.03	0.00
3	3.65	4.07	8.2	3.39	0.00
4	3.65	0.00	0.00	3.39	0.00
5	3.65	3.966	7.8	2.5	0.627
6	3.68	3.904	0.1	4.8	0.00
7	3.68	0.00	0.00	4.18	0.87
8	0.004	0.00	0.00	4.26	0.00
9	0.115	4.3	4.3	4.97	5.5
10	0.01	4.06	4.1	11.4	0.00
11	3.027	0.39	2.9	2.34	3.01
12	0.0	5.28	0.00	10.0	3.01
13	2.99	5.3	0.00	0.00	0.00
14	11.838	0.00	4.06	1.2	0.00
15	0.016	4.63	4.09	7.4	0.00
16	2.98	4.6	2.3	3.7	1.37
17		3.46	2.06	0.00	
18		0.00	0.00	0.00	
19		0.00	3.36		
20		3.8	3.33		
21		0.00			
22		4.578			
23		0.00			
24		5.315			
25					
26					
27					
28					

NOTE : VOLTAGE ARE TAKEN UNDER TUNED CONDITION WITH

CONTRAST : Maximum Position
 BRIGHTNESS : Maximum Position
 COLOR : Maximum Position
 SIGNAL INPUT : 80 dBuV
 CHANNEL SETTING : The Last Channel of UHF High
 SIGNAL PATTERN : Colour Bar

VOLTAGE TABLE FOR TRANSISTOR							
SYMBOL	B (V)	C (V)	E (V)	SYMBOL	B (V)	C (V)	E (V)
Q101	10.2	10.9	11	Q307	10 mV	11.1	0
	11.1	0	11.1	Q308	10 mV	11.1	0
Q102	10.9	3 mV	11	Q401	0.4	8.4	0
	11	3 mV	11.1	Q402	-0.1	113	0
Q103	0.6	5 mV	0	Q403	1.7	10.9	0.1
	30 mV	11	0	Q404	10.8	0.6	11.4
Q104	36 mV	11	0	Q405	0.6	9.1	11.4
	36 mV	11	0	Q406	10 mV	1.7	1.2
Q105	1	8	0.3	Q503	11.3	139	10.8
Q106	12 mV	2.4	0	Q551	10.8	136.5	10.8
Q107	30 mV	11	0	Q552	11.3	132	10.8
	0.64	46 mV	0	Q554	3.3	10.8	2.7
Q108	11	0.1	11	Q555	3.2	10.8	2.6
	10.2	11	11.1	Q556	3.2	10.8	2.6
Q109	3.7	11	3.1	Q601	0.6	1.1	0
Q201	18.6	18	18	Q602	0.6	56 mV	3 mV
Q302	1.9	1.7	0	Q603	8.6	10.9	8.3
Q303	42	80.8	0	Q604	2 mV	0.25	0
Q304	3.8	11.1	3.1	Q605	0.26	1.1	0
Q305	50 mA	11.1	10 mV	Q905	0.6	0.6	0
Q306	-3	10.5	0	Q909	-36.4	202	-35
				Q910	-31	-30	-31
				Q911	-26	-30	-31
				Q912	-22	-18.4	-30

NOTE : VOLTAGE ARE TAKEN UNDER TUNED .CONDITION WITH

- CONTRAST : Maximum Position
- BRIGHTNESS : Maximum Position
- COLOR : Maximum Position
- SIGNAL INPUT : 80 dBuV
- CHANNEL SETTING : The Last Channel of UHF High
- SIGNAL PATTERN : Colour Bar

VOLTAGE TABLE FOR IC

SYMBOL PIN NO.	IC102 (V)	IC101 (V)	IC307 (V)	IC401 (V)
1	5.1	1.7	6.5	2.2
2	2.8	2.1	7.2	0.00
3	3.7	2.5	6.5	1.6
4	3.4	0.937	7.22	0.00
5	3.9	1.82	9.65	0.13
6	0.0	2.17	9.6	25.0
7	11.5	2.17	4.34	1.9
8	5.5	1.8	3.45	4.35
9	5.5	1.8	0.00	24.34
10	2.4	4.1	4.38	
11	1.88	4.1	0.00	
12	2.46	2.79	2.32	
13	3.0	0.04	11.5	
14	1.5	1.67	5.7	
15	2.29	1.77	3.36	
16	0.0	2.95	7.9	
17	3.5	0.03	2.5	
18	6.28	0.00	7.6	
19	6.18	5.15	2.8	
20	5.6	1.78	7.68	
21	5.6		2.7	
22	9.4		5.47	
23	2.8		7.2	
24	2.9		1.26	
25	4.5			
26	0.787			
27	1.18			
28	3.3			

NOTE : VOLTAGE ARE TAKEN UNDER TUNED CONDITION WITH

- CONTRAST : Maximum Position
- BRIGHTNESS : Maximum Position
- COLOR : Maximum Position
- SIGNAL INPUT : 80 dBuV
- CHANNEL SETTING : The Last Channel of UHF High
- SIGNAL PATTERN : Colour Bar

Print Date : 20/08/93

Page Number : 1

<< B.O.M. PRICE LIST FOR CUSTOMER >> - CURRENCY (USD)

PRODUCT CODE : 932539-500001-GT

DESCRIPTION : CT-M635 TEAC PAL/BG W/SCART/F.TXT/STEREO M.BLK 240V SAA TYP

ASSEMBLY NUMBER	DESCRIPTION
155-000000-06-00	COM PART HANDSET FOR ASS'Y
155-000000-06-02	NON-COM PART HANDSET ASS'Y (W/FT STEREO)
158-932539-50-00	COMMON PART FOR CHASSIS ASS'Y (BG)
158-932539-50-01	NON-COM CHASSIS ASS'Y(BG W/O NTSC)
159-932539-50-00	COMMON PART FOR CASING ASS'Y (BG)
159-932539-50-02	NON-COMMON PART FOR CASING ASS'Y (M.BLK)
160-000400-70-01	NON-COM FOR FASTEXT(ENG)ASS'Y(W.EUROPE)
163-932539-50-02	NON-COM PART FOR PACKING ASS'Y (BG)

** THIS SPARE LIST IS MADE FOR TECHNICAL / MAINTENANCE REFERENCE ONLY **

** THIS SPARE LIST IS MADE FOR TECHNICAL / MAINTENANCE REFERENCE ONLY **

Print Date : 20/08/93 PRODUCT CODE : 932539-500001-GT
 Page Number : 2 DESCRIPTION : CT-M635 TEAC PAL/BG W/SCART/F.TXT/STEEREO M.BLK 240V SAA TYP

Component Part	Description / Location	Unit	Subs	Quantity Required	Unit Price	Amount
*** ASSEMBLY : 155-000000-06-00 COM PART HANDSET FOR ASS'Y						
107-800455-46	455K HZ RESONATOR CSB455EB MURATA CF701		0	1.00000	.1800	.1800
113-101005-17	CARBON FILM RESISTOR 100 OHM 1/16W +-5% R704,706	PC	0	2.00000	.0047	.0094
113-102005-17	CARBON FILM RESISTOR 1K OHM 1/16W +-5% R705	PC	0	1.00000	.0047	.0047
113-103005-17	CARBON FILM RESISTOR 10K OHM 1/16W +-5% R702	PC	0	1.00000	.0047	.0047
113-109005-17	CARBON FILM RESISTOR 1 OHM 1/16W +-5% R709,710	PC	0	2.00000	.0044	.0088
113-473005-17	CARBON FILM RESISTOR 47K OHM 1/16W +-5% R703	PC	0	1.00000	.0046	.0046
113-682005-17	CARBON FILM RESISTOR 6.8K OHM 1/16W +-5% R701	PC	0	1.00000	.0047	.0047
127-476042-03	ELECT. CAP. 47 MFD 16V +-20% C701	PC	0	1.00000	.0240	.0240
130-600101-00	INFRARED EMITTER EL-1L1 KODENSHI LED701		0	1.00000	.1346	.1346
131-210719-29	TRANSISTOR 2SA719R/S MATSUSHITA Q702		0	1.00000	.0632	.0632
131-230945-00	TRANSISTOR 2SC945 NEC Q701		0	1.00000	.0372	.0372
133-803010-33	I.C. SAA3010T PHILIPS IC701		0	1.00000	.9663	.9663
172-626006-42	UL 1007 TOP COAT WIRE AWG 26 60MM RED 10 X 10 MM P.C.B. (+) TO BATTERY CONTACT PLATE (+)		0	1.00000	.0018	.0018
172-626008-40	UL 1007 TOP COAT WIRE AWG 26 80MM BLACK 10 X 10 MM P.C.B. (-) TO BATTERY CONTACT PLATE (-)		0	1.00000	.0050	.0050
190-882801-00	REMOTE P.C.B. (270292)		0	1.00000	.7892	.7892
516-260408-10	SELF-TAPPING SCREW 2.6 X 8 P/T(HARDEN) CAB. MTG.		0	2.00000	.0017	.0034
773-036863-00	BATTERY CONTACT PLATE (A) +-VE		0	1.00000	.0404	.0404
773-036864-00	BATTERY CONTACT PLATE +VE		0	1.00000	.0173	.0173
774-036862-00	BATTERY CONTACT SPRING -VE		0	1.00000	.0260	.0260
964-892001-00	SENSOR LENS		0	1.00000	.0423	.0423

ASSB PRICE : 2.3676

** THIS SPARE LIST IS MADE FOR TECHNICAL / MAINTENANCE REFERENCE ONLY **

Print Date : 20/08/93

PRODUCT CODE : 932539-500001-GT

Page Number : 3

DESCRIPTION : CT-M635 TEAC PAL/BG W/SCART/F.TXT/STEEREO M.BLK 240V SAA TYP

Component Part	Description / Location	Unit Subs	Quantity Required	Unit Price	Amount

*** ASSEMBLY : 155-000000-06-02 NON-COM PART HANDSET ASS'Y (W/FT STEREO)					
849-892001-00	CONTACT RUBBER KEY PAD (40 KEYS)	0	1.00000	.5001	.5001
892-892001-04	DIAL KEY PLATE-TEAC (A) DESIGN(40 PROG.)	0	1.00000	.2096	.2096
900-892010-02	HANDSET TOP CABINET - BLACK W/TEAC DESIGN GOLD S.S.	0	1.00000	.1038	.1038
902-892010-01	HANDSET BOTTOM CABINET - BLACKMOULDED	0	1.00000	.1058	.1058
910-892001-01	BATTERY DOOR	0	1.00000	.0365	.0365
				ASSB PRICE :	.9559

** THIS SPARE LIST IS MADE FOR TECHNICAL / MAINTENANCE REFERENCE ONLY **

Print Date : 20/08/93

PRODUCT CODE : 932539-500001-GT

Page Number : 4

DESCRIPTION : CT-M635 TEAC PAL/BG W/SCART/F.TXT/STEEREO M.BLK 240V SAA TYP

Component Part	Description / Location	Unit	Subs	Quantity Required	Unit Price	Amount
*** ASSEMBLY : 158-932539-50-00 COMMON PART FOR CHASSIS ASS'Y (BG)						
001-228079-05	28" FLYBACK TRANSFORMER T402	PC	0	1.00000	12.6519	12.6519
012-102340-06	SEMI-FIXED RESISTOR EVND8AA VR401,901		0	2.00000	.0548	.1096
012-103340-06	SEMI-FIXED RESISTOR EVND8AA VR103	PC	0	1.00000	.0548	.0548
012-104340-06	SEMI-FIXED RESISTOR EVND8AA VR101	PC	0	1.00000	.0548	.0548
012-203340-06	SEMI-FIXED RESISTOR EVND8AA VR402		0	1.00000	.0548	.0548
012-301330-06	SEMI-FIXED RESISTOR EVND2AA VR503,505		0	2.00000	.0606	.1212
012-502330-06	SEMI-FIXED RESISTOR EVND2AA VR502,504,501		0	3.00000	.0606	.1817
012-502340-06	SEMI-FIXED RESISTOR EVND8AA VR403,601		0	2.00000	.0548	.1096
012-503340-06	SEMI-FIXED RESISTOR EVND8AA VR102,301		0	2.00000	.0548	.1096
101-190710-96	HORIZONTAL DRIVE TRANSFORMER T401		0	1.00000	.2885	.2885
101-288280-95	LINE FILTER 50MH FOR 28" L901		0	1.00000	1.0217	1.0217
101-514828-94	SWITCHING TRANSFORMER FOR 28" MOD T901		0	1.00000	4.0385	4.0385
102-370600-02	TANK COIL / AFC COIL COILS T101,103		0	2.00000	.1000	.2000
102-671300-02	SOUND IF COIL. COILS 710256 T104		0	1.00000	.1096	.1096
102-770310-20	CHROMA FILTER "TOMEI" 7R-92072 T305		0	1.00000	.0968	.0968
105-100103-02	FIXED INDUCTIVE COIL 10UH +-10% AXIAL TYPE L102		0	1.00000	.0342	.0342
105-181101-02	FIXED INDUCTIVE COIL 180UH 10% L501		0	1.00000	.0342	.0342
105-201106-02	CHOKE COIL 200UH 10% CH9012- 201K (ELEC PRODUCT) L903,904		0	2.00000	.1828	.3657
105-540102-35	LINEARITY COIL 54UH FOR 28"CRT L401		0	1.00000	1.2854	1.2854
105-689101-02	FIXED INDUCTIVE COIL 6.8UH 10% L103		0	1.00000	.0342	.0342
105-821106-35	CHOKE COIL 820 UH L402		0	1.00000	1.0866	1.0866
105-828103-02	FIXED INDUCTIVE COIL 0.82UH 10% AXIAL TYPE L101		0	1.00000	.0342	.0342
105-829101-02	FIXED INDUCTIVE COIL 8.2UH 10% L301,302,303		0	3.00000	.0342	.1026
106-210012-01	RELAY OMIT-SS-112LM HOSODA RLY901		0	1.00000	1.0047	1.0047

** THIS SPARE LIST IS MADE FOR TECHNICAL / MAINTENANCE REFERENCE ONLY **

Print Date : 20/08/93

PRODUCT CODE : 932539-500001-GT

Page Number : 5

DESCRIPTION : CT-M635 TEAC PAL/BG W/SCART/F.TXT/STEEREO M.BLK 240V SAA TYP

Component Part	Description / Location	Unit	Subs	Quantity Required	Unit Price	Amount
107-104430-66	CHROMA TRAP CERAMIC FILTER CF302			1.00000	.2308	.2308
111-104281-2A	VARIABLE RES. W/CENTRE CHICK VR201			1.00000	.2192	.2192
113-100105-17	CARBON FILM RESISTOR 10 OHM R601,119,108,140	PC	0	4.00000	.0029	.0115
113-100505-75	METAL OXIDE FILM RESISTOR 10 R429	PC	0	1.00000	.0551	.0551
113-101105-17	CARBON FILM RESISTOR 100 OHM R309,317,318,319,322	PC	0	5.00000	.0029	.0144
113-101105-17	CARBON FILM RESISTOR 100 OHM R624,625,650,643,644,638,343,351,934,342	PC	0	10.00000	.0029	.0288
113-101305-75	METAL OXIDE FILM RESISTOR 100 OHM R130	PC	0	1.00000	.0202	.0202
113-102105-17	CARBON FILM RESISTOR 1K OHM R422,922,201,329,331,402,107,325,330,935	PC	0	10.00000	.0029	.0288
113-102105-17	CARBON FILM RESISTOR 1K OHM R619,617,607,608,618,620,621,634,637,640,641,633	PC	0	12.00000	.0029	.0346
113-102105-17	CARBON FILM RESISTOR 1K OHM R636,639,642,109,143,153,320,302,328,354	PC	0	10.00000	.0029	.0288
113-102305-75	METAL OXIDE FILM RESISTOR 1K OHM R414	PC	0	1.00000	.0202	.0202
113-103101-67	METAL FILM RESISTOR 10K OHM R609	PC	0	1.00000	.0092	.0092
113-103105-12	CARBON FILM RESISTOR 10K OHM R905	PC	0	1.00000	.0023	.0023
113-103105-17	CARBON FILM RESISTOR 10K OHM R612,623,635,649,632,103,110,113,104,111	PC	0	10.00000	.0029	.0288
113-103105-17	CARBON FILM RESISTOR 10K OHM R303,304,315,407,352	PC	0	5.00000	.0029	.0144
113-103105-17	CARBON FILM RESISTOR 10K OHM R154,321,339,927,437,353,364,380,335	PC	0	9.00000	.0029	.0260
113-104105-17	CARBON FILM RESISTOR 100K OHM R136	PC	0	1.00000	.0029	.0029
113-104305-75	METAL OXIDE FILM RESISTOR 100KOHM R918	PC	0	1.00000	.0202	.0202
113-105001-67	METAL FILM RESISTOR 1M OHM R358	PC	0	1.00000	.0190	.0190
113-109305-75	METAL OXIDE FILM RESISTOR 1 R410	PC	0	1.00000	.0202	.0202
113-120305-75	METAL OXIDE FILM RESISTOR 12 R909	PC	0	1.00000	.0208	.0208
113-120405-75	METAL OXIDE FILM RESISTOR 12 R917	PC	0	1.00000	.0268	.0268
113-122105-17	CARBON FILM RESISTOR 1.2K OHM R602,344	PC	0	2.00000	.0029	.0058
113-122205-12	CARBON FILM RESISTOR 1K2 OHM R420	PC	0	1.00000	.0062	.0062
113-123105-17	CARBON FILM RESISTOR 12K OHM R132,615	PC	0	2.00000	.0029	.0058

** THIS SPARE LIST IS MADE FOR TECHNICAL / MAINTENANCE REFERENCE ONLY **

Print Date : 20/08/93

PRODUCT CODE : 932539-500001-GT

Page Number : 6

DESCRIPTION : CT-M635 TEAC PAL/BG W/SCART/F.TXT/STEREO M.BLK 240V SAA TYP

Component Part	Description / Location	Unit	Subs	Quantity Required	Unit Price	Amount
113-151205-12	CARBON FILM RESISTOR 150 OHM 1/2W +-5% R936,411	PC	0	2.00000	.0052	.0104
113-152105-17	CARBON FILM RESISTOR 1.5K OHM 1/4W +-5% R150,152	PC	0	2.00000	.0031	.0062
113-153105-17	CARBON FILM RESISTOR 15K OHM 1/4W +-5% R616,401,605	PC	0	3.00000	.0029	.0087
113-153405-75	METAL OXIDE FILM RESISTOR 15K OHM 2W +-5% R137,505,510,511	PC	0	4.00000	.0268	.1072
113-154105-17	CARBON FILM RESISTOR 150K OHM 1/4W +-5% R133	PC	0	1.00000	.0029	.0029
113-154205-12	CARBON FILM RESISTOR 150K OHM 1/2W +-5% R433	PC	0	1.00000	.0065	.0065
113-158405-75	METAL OXIDE FILM RESISTOR 0.150HM 2W +-5% R912	PC	0	1.00000	.0288	.0288
113-159905-51	WIRE WOUND CEMENT RESISTOR 1.50HM 10W +-5% R924	PC	0	1.00000	.2981	.2981
113-181105-17	CARBON FILM RESISTOR 180 OHM 1/4W +-5% R310	PC	0	1.00000	.0028	.0028
113-182105-17	CARBON FILM RESISTOR 1.8K OHM 1/4W +-5% R904,628,629,630,631,148,306,308,311,350	PC	0	10.00000	.0029	.0288
113-183105-17	CARBON FILM RESISTOR 18K OHM 1/4W +-5% R408,424,340,604	PC	0	4.00000	.0029	.0115
113-184105-17	CARBON FILM RESISTOR 180K OHM 1/4W +-5% R151,156,431	PC	0	3.00000	.0029	.0087
113-202605-75	METAL OXIDE FILM RESISTOR 2K OHM 5W +-5% R416	PC	0	1.00000	.1519	.1519
113-221105-17	CARBON FILM RESISTOR 220 OHM 1/4W +-5% R112,627,106,305,313,307	PC	0	6.00000	.0029	.0173
113-221305-75	METAL OXIDE FILM RESISTOR 220 OHM 1W +-5% R413	PC	0	1.00000	.0208	.0208
113-222101-67	METAL FILM RESISTOR 2.2K OHM 1/4W +-1% R146	PC	0	1.00000	.0115	.0115
113-222105-17	CARBON FILM RESISTOR 2.2K OHM 1/4W +-5% R141,652,332,507,509,513	PC	0	6.00000	.0029	.0173
113-223105-17	CARBON FILM RESISTOR 22K OHM 1/4W +-5% R546,129,655,406,346,365,614,312,314,208,209	PC	0	11.00000	.0029	.0317
113-224105-17	CARBON FILM RESISTOR 220K OHM 1/4W +-5% R333,653	PC	0	2.00000	.0028	.0056
113-229105-17	CARBON FILM RESISTOR 2.2 OHM 1/4W +-5% R125,327,334	PC	0	3.00000	.0029	.0087
113-229205-12	CARBON FILM RESISTOR 2.2 OHM 1/2W +-5% R139	PC	0	1.00000	.0062	.0062
113-229505-75	METAL OXIDE FILM RESISTOR 2.2 OHM 3W +-5% R203	PC	0	1.00000	.0577	.0577
113-229605-51	WIRE WOUND CEMENT RESISTOR 2.2 OHM 5W +-5% R944	PC	0	1.00000	.1808	.1808
113-270105-17	CARBON FILM RESISTOR 27 OHM 1/4W +-5% R115	PC	0	1.00000	.0029	.0029
113-270405-75	METAL OXIDE FILM RESISTOR 27 OHM 2W +-5% R910	PC	0	1.00000	.0268	.0268

** THIS SPARE LIST IS MADE FOR TECHNICAL / MAINTENANCE REFERENCE ONLY **

Print Date : 20/08/93

PRODUCT CODE : 932539-500001-GT

Page Number : 7

DESCRIPTION : CT-M635 TEAC PAL/BG W/SCART/F.TXT/STEEEREO M.BLK 240V SAA TYP

Component Part	Description / Location	Unit	Subs	Quantity Required	Unit Price	Amount
113-271105-17	CARBON FILM RESISTOR 270 OHM 1/4W +-5% R147	PC	0	1.00000	.0031	.0031
113-272105-17	CARBON FILM RESISTOR 2.7K OHM 1/4W +-5% R142	PC	0	1.00000	.0029	.0029
113-272205-17	CARBON FILM RESISTOR 2.7K OHM 1/2W +-5% R415,428,502,503,504	PC	0	5.00000	.0063	.0317
113-273105-17	CARBON FILM RESISTOR 27K OHM 1/4W +-5% R155,603	PC	0	2.00000	.0029	.0058
113-274105-17	CARBON FILM RESISTOR 270K OHM 1/4W +-5% R430	PC	0	1.00000	.0029	.0029
113-331105-17	CARBON FILM RESISTOR 330 OHM 1/4W +-5% R366,336,337,338,901	PC	0	5.00000	.0029	.0144
113-332102-17	CARBON FILM RESISTOR 3.3K OHM 1/4W +-2% R907	PC	0	1.00000	.0044	.0044
113-332105-17	CARBON FILM RESISTOR 3.3K OHM 1/4W +-5% R611,645,647,363,367,360,417,426	PC	0	8.00000	.0029	.0231
113-333105-17	CARBON FILM RESISTOR 33K OHM 1/4W +-5% R118,127,128,114,117,144,421	PC	0	7.00000	.0029	.0202
113-334001-67	METAL FILM RESISTOR 330K OHM 1/16W +-1% R138	PC	0	1.00000	.0190	.0190
113-334105-17	CARBON FILM RESISTOR 330K OHM 1/4W +-5% R131	PC	0	1.00000	.0029	.0029
113-334305-75	METAL OXIDE FILM RESISTOR 330KOHM 1W +-5% R911	PC	0	1.00000	.0208	.0208
113-335105-17	CARBON FILM RESISTOR 3.3M OHM 1/4W +-5% R356	PC	0	1.00000	.0028	.0028
113-339505-42	NON-FLAMMABLE FUSE RESISTOR 3.3 OHM 3W +-5% R501	PC	0	1.00000	.1038	.1038
113-390505-75	METAL OXIDE FILM RESISTOR 39 OHM 3W +-5% R926	PC	0	1.00000	.0577	.0577
113-390605-75	METAL OXIDE FILM RESISTOR 39 OHM 5W +-5% R913	PC	0	1.00000	.1519	.1519
113-391105-17	CARBON FILM RESISTOR 390 OHM 1/4W +-5% R506,508	PC	0	2.00000	.0029	.0058
113-392105-17	CARBON FILM RESISTOR 3.9K OHM 1/4W +-5% R404	PC	0	1.00000	.0031	.0031
113-393105-17	CARBON FILM RESISTOR 39K OHM 1/4W +-5% R316,361	PC	0	2.00000	.0029	.0058
113-470105-17	CARBON FILM RESISTOR 47 OHM 1/4W +-5% R204,206	PC	0	2.00000	.0029	.0058
113-471105-17	CARBON FILM RESISTOR 470 OHM 1/4W +-5% R412,123	PC	0	2.00000	.0029	.0058
113-472105-17	CARBON FILM RESISTOR 4.7K OHM 1/4W +-5% R908,149,158,159,427,423,324,205,207	PC	0	9.00000	.0029	.0260
113-473105-17	CARBON FILM RESISTOR 47K OHM 1/4W +-5% R622,648,301,405,651	PC	0	5.00000	.0029	.0144
113-479105-17	CARBON FILM RESISTOR 4.7 OHM 1/4W +-5% R210,211	PC	0	2.00000	.0028	.0056
113-561105-17	CARBON FILM RESISTOR 560 OHM 1/4W +-5% R347,326,512	PC	0	3.00000	.0028	.0084

** THIS SPARE LIST IS MADE FOR TECHNICAL / MAINTENANCE REFERENCE ONLY **

Print Date : 20/08/93

PRODUCT CODE : 932539-500001-GT

Page Number : 8

DESCRIPTION : CT-M635 TEAC PAL/BG W/SCART/F.TXT/STEEREO M.BLK 240V SAA TYP

Component Part	Description / Location	Unit	Subs	Quantity Required	Unit Price	Amount
113-562105-17	CARBON FILM RESISTOR 5.6K OHM 1/4W +-5% R105,202,357,403,362	PC	0	5.00000	.0029	.0144
113-563105-17	CARBON FILM RESISTOR 56K OHM 1/4W +-5% R160	PC	0	1.00000	.0029	.0029
113-565205-92	CARBON COMPOSITION RESISTOR 5.6M 1/2W +-5% R948,921	PC	0	2.00000	.0500	.1000
113-681105-17	CARBON FILM RESISTOR 680 OHM 1/4W +-5% R613,135,425	PC	0	3.00000	.0031	.0092
113-682102-17	CARBON FILM RESISTOR 6.8K OHM 1/4W +-2% R902	PC	0	1.00000	.0044	.0044
113-682105-17	CARBON FILM RESISTOR 6.8K OHM 1/4W +-5% R906,419	PC	0	2.00000	.0029	.0058
113-683105-17	CARBON FILM RESISTOR 68K OHM 1/4W +-5% R341,355	PC	0	2.00000	.0029	.0058
113-688305-42	FUSING RESISTOR 0.68 OHM 1W +-5% R435,434,914,916	PC	0	4.00000	.0654	.2615
113-750105-17	CARBON FILM RESISTOR 75 OHM 1/4W +-5% R929,930,931,932,928	PC	0	5.00000	.0029	.0144
113-820105-17	CARBON FILM RESISTOR 82 OHM 1/4W +-5% R418,101	PC	0	2.00000	.0029	.0058
113-821105-17	CARBON FILM RESISTOR 820 OHM 1/4W +-5% R126	PC	0	1.00000	.0028	.0028
113-822105-17	CARBON FILM RESISTOR 8.2K OHM 1/4W +-5% R923,903,626,460	PC	0	4.00000	.0029	.0115
113-823105-17	CARBON FILM RESISTOR 82K OHM 1/4W +-5% R145,432	PC	0	2.00000	.0029	.0058
114-210262-00	THERMISTOR PTH451C262B TH901		0	1.00000	.9623	.9623
123-101350-60	CERAMIC CAP. 100 PF 50V +-10% (SL TYPE) C605,611,612,606,335,336	PC	0	6.00000	.0116	.0697
123-102350-90	CERAMIC CAP. 0.001 MFD 50V +-10% (B TYPE) C138,614,348,349	PC	0	4.00000	.0127	.0506
123-102850-10	CERAMIC CAP. 0.001 MFD 2KV +-10% MATSUSHITA C501	PC	0	1.00000	.1288	.1288
123-103370-90	CERAMIC CAP. 0.01 MFD 50V +80 -20% C102,117,126,330,147,118,361,363,R375		0	9.00000	.0098	.0883
123-103370-90	CERAMIC CAP. 0.01 MFD 50V +80 -20% C357,358,359,360		0	4.00000	.0098	.0392
123-104270-90	CERAMIC CAP. 0.1 MFD 25V +80 -20% C623,139,306,309,307,101		0	6.00000	.0285	.1708
123-121350-60	CERAMIC CAP. 120 PF 50V +-10% (SL TYPE) C301,302,303	PC	0	3.00000	.0116	.0349
123-122551-90	CERAMIC CAP. 0.0012 MFD 500V +-10% (B TYPE) MATSUSHITA C415	PC	0	1.00000	.0444	.0444
123-150340-93	CERAMIC CAP. 15 PF 50V +-5% (NPO) C374	PC	0	1.00000	.0145	.0145
123-151350-60	CERAMIC CAP 150 PF 50V +-10% (SL TYPE) C137	PC	0	1.00000	.0116	.0116
123-152850-10	CERAMIC CAP. 0.0015 MFD 2KV +-10% MATSUSHITA C440	PC	0	1.00000	.1923	.1923

** THIS SPARE LIST IS MADE FOR TECHNICAL / MAINTENANCE REFERENCE ONLY **

Print Date : 20/08/93

PRODUCT CODE : 932539-500001-GT

Page Number : 9

DESCRIPTION : CT-M635 TEAC PAL/BG W/SCART/F.TXT/STEEREO M.BLK 240V SAA TYP

Component Part	Description / Location	Unit	Subs	Quantity Required	Unit Price	Amount
123-152850-43	CERAMIC CAP 0.0015MFD 2KV (DE1410BN152K MURATA) C433	PC	0	1.00000	.1154	.1154
123-220340-60	CERAMIC CAP. 22 PF 50V +-5% (SL TYPE) C616,617,618,620	PC	0	4.00000	.0107	.0429
123-221350-60	CERAMIC CAP. 220 PF 50V +-10% (SL TYPE) C352,353,354,365	PC	0	4.00000	.0137	.0549
123-221551-90	CERAMIC CAP. 220 PF 500V +-10% MATSUSHITA C916	PC	0	1.00000	.0525	.0525
123-222850-10	CERAMIC CAP. 0.0022 MFD 2KV +-10% MATSUSHITA C912	PC	0	1.00000	.2385	.2385
123-223370-90	CERAMIC CAP. 0.022 MFD 50V +80-20% C109,131,124,122,128,129,135,331,332,105,344,369		0	12.00000	.0128	.1540
123-250340-93	CERAMIC CAP. 25PF 50V +-5% (NPO) C373	PC	0	1.00000	.0158	.0158
123-270340-60	CERAMIC CAP. 27 PF 50V +-5% (SL-TYPE) C114	PC	0	1.00000	.0107	.0107
123-271350-60	CERAMIC CAP. 270 PF 50V +-10% (SL TYPE) C342,343,502,503,504	PC	0	5.00000	.0138	.0692
123-330340-60	CERAMIC CAP. 33 PF 50V +-5% (SL TYPE) C366	PC	0	1.00000	.0114	.0114
123-331350-60	CERAMIC CAP. 330 PF 50V +-10% (SL TYPE) C341	PC	0	1.00000	.0153	.0153
123-390340-93	CERAMIC CAP. 39PF 50V +-5% (NPO) C630	PC	0	1.00000	.0149	.0149
123-391350-60	CERAMIC CAP. 390PF 50V +-10% (SL TYPE) C367	PC	0	1.00000	.0201	.0201
123-472350-90	CERAMIC CAP. 0.0047 MFD 50V +-10% (B TYPE) C918,920	PC	0	2.00000	.0155	.0313
123-472551-90	CERAMIC CAP. 0.0047 MFD 500V +-10% (B TYPE) MATSUSHITA C432,427,914	PC	0	3.00000	.1269	.3808
123-472552-90	CERAMIC CAP. 0.0047 MFD 500V +-10% (B TYPE) SMALL SIZE C904,903,906	PC	0	3.00000	.0582	.1745
123-680340-60	CERAMIC CAP. 68 PF 50V +-5% (SL TYPE) C613	PC	0	1.00000	.0107	.0107
123-681350-60	CERAMIC CAP. 680 PF 50V +-10% (SL TYPE) C407	PC	0	1.00000	.0216	.0216
123-821850-10	CERAMIC CAP. 820 PF 2KV +-10% (SL TYPE) MATSUSHITA C913	PC	0	1.00000	.1212	.1212
124-224061-03	TANTALIUM CAP. 0.22 MFD 35V +-10% C603,115	PC	0	2.00000	.0657	.1313
125-361120-11	POLYSTYRENE CAP. 360PF 125V +-5% C149		0	1.00000	.0346	.0346
126-102071-01	MYLAR CAP. 0.001 MFD 50V +-10% C130,402,426	PC	0	3.00000	.0104	.0312
126-103071-01	MYLAR CAP. 0.01 MFD 50V +-10% C413,207,208	PC	0	3.00000	.0115	.0346
126-103230-41	METALIZED POLYPROPYLENE CAP. 0.01MFD 2KV +-5% C414	PC	0	1.00000	.3936	.3936
126-104071-01	MYLAR CAP. 0.1 MFD 50V +-10% C602,304,305,308,310,324,325,326,133,371	PC	0	10.00000	.0260	.2596

** THIS SPARE LIST IS MADE FOR TECHNICAL / MAINTENANCE REFERENCE ONLY **

Print Date : 20/08/93

PRODUCT CODE : 932539-500001-GT

Page Number : 10

DESCRIPTION : CT-M635 TEAC PAL/BG W/SCART/F.TXT/STEEREO M.BLK 240V SAA TYP

Component Part	Description / Location	Unit	Subs	Quantity Required	Unit Price	Amount
126-104071-01	MYLAR CAP. 0.1 MFD 50V +-10% C409,214,216,420,347,355,356,911,333,334	PC	0	10.00000	.0260	.2596
126-222071-01	MYLAR CAP. 0.0022 MFD 50V +-10% C610,624	PC	0	2.00000	.0104	.0208
126-223071-01	MYLAR CAP. 0.022 MFD 50V +-10% C321,322,323,375,376	PC	0	5.00000	.0135	.0673
126-223401-31	POLYPROPYLENE CAP. 0.022MFD 400V +-10% C431,434	PC	0	2.00000	.0986	.1971
126-224071-01	MYLAR CAP 0.22 MFD 50V +-10% C140,346,327	PC	0	3.00000	.0471	.1413
126-272070-31	POLYPROPYLENE CAP. 0.0027 MFD 50V +-5% C141	PC	0	1.00000	.0692	.0692
126-274201-31	POLYPROPYLENE CAP. 0.27 MFD 200V +-10% C412	PC	0	1.00000	.2462	.2462
126-332161-41	METALIZED POLYPROPYLENE CAP. 0.0033 MFD 1600V +-10% C430	PC	0	1.00000	.2635	.2635
126-333071-01	MYLAR CAP. 0.033 MFD 50V +-10% C907	PC	0	1.00000	.0142	.0142
126-334071-01	MYLAR CAP. 0.33 MFD 50V +-10% C143,145,368,372	PC	0	4.00000	.0613	.2454
126-472071-01	MYLAR CAP. 0.0047 MFD 50V +-10% C403,405	PC	0	2.00000	.0104	.0208
126-473071-01	MYLAR CAP. 0.047 MFD 50V +-10% C134,370	PC	0	2.00000	.0192	.0385
126-473211-41	METALLIZED POLYPROPYLENE CAP 0.047 MFD 250V +-10% VDE C902	PC	0	1.00000	.1340	.1340
126-474211-41	METALLIZED POLYPROPYLENE CAP 0.47 MFD 250V +-10% VDE C901	PC	0	1.00000	.4019	.4019
126-683071-01	MYLAR CAP. 0.068 MFD 50V +-10% C423	PC	0	1.00000	.0217	.0217
127-105071-05	ELECT. CAP. 1 MFD 50V +-10% (TIME CONSTANT) C404	PC	0	1.00000	.0538	.0538
127-105072-03	ELECT. CAP. 1 MFD 50V +-20% C107,142,350,132	PC	0	4.00000	.0240	.0962
127-105132-03	ELECT. CAP. 1 MFD 160V +-20% C425	PC	0	1.00000	.0481	.0481
127-106042-03	ELECT. CAP. 10 MFD 16V +-20% C202,627,621,601,615,619,626,622,351	PC	0	9.00000	.0240	.2163
127-106042-03	ELECT. CAP. 10 MFD 16V +-20% C203,312,328,329,316,317,315,314,318,338,340	PC	0	11.00000	.0240	.2644
127-106072-03	ELECT. CAP. 10 MFD 50V +-20% C908,909	PC	0	2.00000	.0240	.0481
127-107042-03	ELECT. CAP. 100 MFD 16V +-20% C125,119,625,209,210,311,364	PC	0	7.00000	.0346	.2423
127-107062-03	ELECT. CAP. 100 MFD 35V +-20% C408,418	PC	0	2.00000	.0510	.1019
127-107132-03	ELECT. CAP. 100 MFD 160V +-20% C417,927	PC	0	2.00000	.3077	.6154
127-108052-03	ELECT. CAP. 1000 MFD 25V +-20% C217,201,429,925	PC	0	4.00000	.1731	.6923

** THIS SPARE LIST IS MADE FOR TECHNICAL / MAINTENANCE REFERENCE ONLY **

Print Date : 20/08/93

PRODUCT CODE : 932539-500001-GT

Page Number : 11

DESCRIPTION : CT-M635 TEAC PAL/BG W/SCART/F.TXT/STEEREO M.BLK 240V SAA TYP

Component Part	Description / Location	Unit	Subs	Quantity Required	Unit Price	Amount
127-225072-03	ELECT. CAP 2.2 MFD 50V +-20% C106,111,108,113,116	PC	0	5.00000	.0240	.1202
127-226042-03	ELECT. CAP. 22 MFD 16V +-20% C609	PC	0	1.00000	.0255	.0255
127-226132-03	ELECT CAP. 22MFD 160V +-20% C926	PC	0	1.00000	.1442	.1442
127-227042-03	ELECT. CAP. 220 MFD 16V +-20% C320,121,205,213,215	PC	0	5.00000	.0506	.2528
127-227062-03	ELECT. CAP. 220 MFD 35V +-20% C923,410	PC	0	2.00000	.0840	.1681
127-227402-03	ELECT CAP. 220 MFD 400V +-20% (ø22MM-26MM) C905	PC	0	1.00000	1.7769	1.7769
127-228052-03	ELECT. CAP. 2200 MFD 25V +-20% C428	PC	0	1.00000	.3365	.3365
127-335042-03	ELECT. CAP. 3.3 MFD 16V +-20% C127	PC	0	1.00000	.0240	.0240
127-336042-03	ELECT. CAP. 33 MFD 16V +-20% C144,921	PC	0	2.00000	.0270	.0540
127-336252-03	ELECT CAP. 33 MFD 250V +-20% C424	PC	0	1.00000	.2212	.2212
127-338062-03	ELECT CAP. 3300 MFD 35V +-20% C411	PC	0	1.00000	.6731	.6731
127-474072-03	ELECT. CAP. 0.47 MFD 50V +-20% C211,212	PC	0	2.00000	.0240	.0481
127-475052-03	ELECT. CAP. 4.7 MFD 25V +-20% C607,608,604,136,337	PC	0	5.00000	.0240	.1202
127-475102-23	ELECT CAP.BIPOLAR 4.7MFD 100V +-20% C419	PC	0	1.00000	.0904	.0904
127-476042-03	ELECT. CAP. 47 MFD 16V +-20% C401,204,206,345	PC	0	4.00000	.0240	.0962
127-476052-03	ELECT. CAP. 47 MFD 25V +-20% C910	PC	0	1.00000	.0360	.0360
127-476072-03	ELECT. CAP. 47 MFD 50V +-20% C422	PC	0	1.00000	.0420	.0420
127-477042-03	ELECT. CAP. 470 MFD 16V +-20% C146,922,120,313,919,416,421	PC	0	7.00000	.0840	.5883
127-478052-03	ELECT. CAP. 4700MFD 25V +-20% C406	PC	0	1.00000	.7500	.7500
130-134148-01	SILICON DIODE IN4148 D301,302,303,604,305,908		0	6.00000	.0098	.0588
130-134148-01	SILICON DIODE IN4148 D602,601,605,606,607,608,609,610,603		0	9.00000	.0098	.0883
130-240809-50	VERIABLE CAPACITANCE DIODE BB809 D102,101		0	2.00000	.2308	.4615
130-310341-00	RECTIFIER DIODE 3TH41 TOSHIBA D402		0	1.00000	.4775	.4775
130-310345-00	RECTIFIER DIODE 3JH45 TOSHIBA D403,906		0	2.00000	.2835	.5671
130-310406-00	BRIDGE RECTIFIER RBV-406 SANKEN BR901		0	1.00000	.7668	.7668

** THIS SPARE LIST IS MADE FOR TECHNICAL / MAINTENANCE REFERENCE ONLY **

Print Date : 20/08/93

PRODUCT CODE : 932539-500001-GT

Page Number : 12

DESCRIPTION : CT-M635 TEAC PAL/BG W/SCART/F.TXT/STEERED M.BLK 240V SAA TYP

Component Part	Description / Location	Unit	Subs	Quantity Required	Unit Price	Amount
130-311545-60	RECTIFIER DIODE 1R5JH45 D404,907		0	2.00000	.1784	.3568
130-314001-00	RECTIFIER DIODE 1N4001 D406	PC	0	1.00000	.0115	.0115
130-315295-00	RECTIFIER DIODE S5295G TOSHIBA D902,901,401,405,408,407,905		0	7.00000	.0895	.6268
130-410051-01	ZENER DIODE 5.1V 1/2W +-5% ZD102		0	1.00000	.0246	.0246
130-410056-01	ZENER DIODE 5.6V ZD306		0	1.00000	.0246	.0246
130-410082-01	ZENER DIODE 8.2V ZD903		0	1.00000	.0246	.0246
130-410100-01	ZENER DIODE 10V 1/2W ZD401		0	1.00000	.0246	.0246
130-410574-00	ZENER DIODE UPC 574J NEC OR KA33V SAMSUNG ZD101		0	1.00000	.1448	.1448
130-411091-01	ZENER DIODE 9.1V ZD904		0	1.00000	.0246	.0246
130-422120-00	ZENER DIODE 1W 12V ZD402		0	1.00000	.0596	.0596
131-210564-18	TRANSISTOR 2SA564AQ Q404		0	1.00000	.0379	.0379
131-211015-00	TRANSISTOR 2SA1015 TOSHIBA Q101,102,108		0	3.00000	.0282	.0847
131-220774-20	TRANSISTOR 2SB774 MATSUSHITA Q911		0	1.00000	.1187	.1187
131-230388-00	TRANSISTOR 2SC388A TOSHIBA Q105		0	1.00000	.1338	.1338
131-231815-25	TRANSISTOR 2SC1815 TOSHIBA Q103,104,107,912,910,602,302,301		0	8.00000	.0260	.2081
131-231815-25	TRANSISTOR 2SC1815 TOSHIBA Q603,604,605,106,109,304,403,303		0	8.00000	.0260	.2081
131-232230-00	TRANSISTOR 2SC2230A-Y TOSHIBA Q905		0	1.00000	.0892	.0892
131-232482-00	TRANSISTOR 2SC2482 TOSHIBA Q401		0	1.00000	.0966	.0966
131-233619-00	TRANSISTOR 2SC3619 Q501,502,503		0	3.00000	.2378	.7135
131-241266-00	TRANSISTOR 2SD1266Q MATSUSHITA Q201		0	1.00000	.3769	.3769
131-241266-15	TRANSISTOR 2SD1266AQ Q405		0	1.00000	.3651	.3651
131-241403-00	TRANSISTOR 2SD1403 W/MICA SHEET SANYO Q909		0	1.00000	1.3462	1.3462
131-241433-05	TRANSISTOR 2SD1433(E) W/MICA SHEET TOSHIBA Q402		0	1.00000	1.9350	1.9350
131-462369-00	TRANSISTOR PH2369 PHILIPS Q601	PC	0	1.00000	.0635	.0635
133-103504-33	I.C. TDA3504 PHILIPS IC304		0	1.00000	1.7838	1.7838

** THIS SPARE LIST IS MADE FOR TECHNICAL / MAINTENANCE REFERENCE ONLY **

Print Date : 20/08/93

PRODUCT CODE : 932539-500001-GT

Page Number : 13

DESCRIPTION : CT-M635 TEAC PAL/BG W/SCART/F.TXT/STEEEREO M.BLK 240V SAA TYP

Component Part	Description / Location	Unit Subs	Quantity Required	Unit Price	Amount	
133-103857-33	IC TDA3857 PHILIPS IC101	0	1.00000	2.3429	2.3429	
133-104555-33	I.C. TDA4565 PHILIPS IC305	0	1.00000	1.6415	1.6415	
133-104650-33	I.C. TDA 4650 PHILIPS IC307	0	1.00000	3.1258	3.1258	
133-104661-33	I.C. TDA 4661 PHILIPS IC IC306	0	1.00000	1.6373	1.6373	
133-108305-33	IC TDA8305A PHILIPS IC102	0	1.00000	3.8800	3.8800	
133-108628-14	IC TA8628N TOSHIBA IC303	0	1.00000	1.4885	1.4885	
133-134640-33	PHILIPS IC PCA 84C640P IC601	0	1.00000	5.0233	5.0233	
133-203654-33	I.C. TDA3654 (PHILIPS) IC401	0	1.00000	.9700	.9700	
133-204445-16	I.C. LA4445 SANYO IC201	0	1.00000	.9000	.9000	
133-207805-31	I.C. L7805CV SGS IC901	0	1.00000	.2537	.2537	
133-207812-31	IC L7812CV SGS-THOMSON IC103	0	1.00000	.2537	.2537	
133-304241-33	I.C. PC74HCT241P PHILIPS IC301	0	1.00000	.3122	.3122	
133-305114-31	I.C. TEA5114A SGS IC302	0	1.00000	.9675	.9675	
136-500337-00	REMOTE RECEIVER (KODENSHI) OPT602	HC-337M)	0	1.00000	1.0865	1.0865
137-100000-31	CRYSTAL 10 MHZ HOORAY X601	0	1.00000	.3654	.3654	
137-886723-20	CRYSTAL 8.86 MHZ KDS X302	0	1.00000	.4088	.4088	
144-061425-18	POWER SWITCH PREH TV5 S612	0	1.00000	1.2202	1.2202	
146-100002-13	TACT SWITCH KSM0634A S602,603,604,605,601,606,608,609,615,616,617,618	0	12.00000	.0712	.8538	
160-101001-08	PIN CONNECTOR 1 PIN PLUG FOR CN501,901,902	STRAIGHT	0	3.00000	.0582	
160-102255-27	PIN CONNECTOR 2 PINS PLUG CN601,201	STRAIGHT (UL)	0	2.00000	.0308	
160-102805-08	PIN CONNECTOR 2 PIN PLUG CN903	STRAIGHT	0	1.00000	.0496	
160-103255-27	PIN CONNECTOR 3 PINS PLUG CN202	PC	0	1.00000	.0231	
160-103805-08	PIN CONNECTOR 3 PIN PLUG CN402,904	STRAIGHT	0	2.00000	.1336	
160-104805-08	PIN CONNECTOR 4 PIN PLUG CN401	STRAIGHT	0	1.00000	.0711	
160-105255-27	PIN CONNECTOR 5 PINS WAFER CN307	PC	0	1.00000	.0431	

** THIS SPARE LIST IS MADE FOR TECHNICAL / MAINTENANCE REFERENCE ONLY **

Print Date : 20/08/93

PRODUCT CODE : 932539-500001-GT

Page Number : 14

DESCRIPTION : CT-M635 TEAC PAL/BG W/SCART/F.TXT/STEERED M.BLK 240V SAA TYP

Component Part	Description / Location	Unit Subs	Quantity Required	Unit Price	Amount
161-540004-01	CRT SOCKET ISH-01 IN CHANG CRT SOCKET	0	1.00000	.6923	.6923
172-120032-40	UL 1007 STANDARD WIRE AWG 20 320 MM BLACK 10 X 10 MM MAIN P.C.B. 'V' TO 'V', 'W' TO 'W'	0	2.00000	.0059	.0118
172-620005-40	UL 1007 TOP COAT WIRE AWG 20 50MM BLACK 5 X 5MM FOR IC401 JUMPER 'M' TO R410 GND	0	1.00000	.0066	.0066
172-620010-40	UL 1007 TOP COAT WIRE AWG 20 100MM BLACK 10 X 10 MM MAIN P.C.B. 'Q' TO 'Q'	0	1.00000	.0129	.0129
172-620014-43	UL 1007 TOP COAT WIRE AWG 20 140MM ORANGE 10 X 10MM MAIN P.C.B. 'J' TO 'J'	0	1.00000	.0029	.0029
172-626008-40	UL 1007 TOP COAT WIRE AWG 26 80MM BLACK 10 X 10 MM IC401 LUG TO MAIN P.C.B. 'M', 'H' TO 'H'	0	2.00000	.0050	.0099
172-626008-40	UL 1007 TOP COAT WIRE AWG 26 80MM BLACK 10 X 10 MM Q909 LUG TO POWER PCB 'Z',Q402 LUG TO MAIN PCB 'K'	0	2.00000	.0050	.0099
172-626014-42	UL 1007 TOP COAT WIRE AWG 26 140MM RED 10 X 10 MM MAIN P.C.B. 'O' TO 'O'	0	1.00000	.0034	.0034
172-626016-43	UL 1007 TOP COAT WIRE AWG 26 160MM ORANGE 10 X 10 MM MAIN P.C.B. 'F' TO 'F'	0	1.00000	.0032	.0032
172-626020-42	UL 1007 TOP COAT WIRE AWG 26 200MM RED 10 X 10 MM IC001 18 PIN TO R633	0	1.00000	.0047	.0047
172-626022-45	UL 1007 TOP COAT WIRE AWG 26 220MM PINK 10 X 10 MM MAIN P.C.B. 'N' TO 'N'	0	1.00000	.0043	.0043
172-626024-41	UL 1007 TOP COAT WIRE AWG 26 240MM BROWN 10 X 10 MM MAIN P.C.B. 'P' TO 'P', 'I' TO 'I'	0	2.00000	.0045	.0090
172-726000-99	BARE WIRE 54MM W001,003-119,121-129,131-133,135-136,140-41,501-02	M 0	7.40000	.0092	.0680
172-726000-99	BARE WIRE 54MM 230-231,901-902,904-905	M 0	.00000	.0092	.0000
174-833026-50	DOUBLE SHIELD WIRE UL 2547 AWG28 260MM BLACK MAIN P.C.B. 'A.B' TO 'A.B'	0	2.00000	.1071	.2141
177-655053-02	2 PIN FLAT CABLE WIRE AWG 26 50MM MAIN P.C.B. 'C.D' TO 'C.D'	0	1.00000	.0050	.0050
179-001010-00	OIL SLEEVING 1 MM DIA. 40MM FOR R346,20MM FOR ZD402,20MM FOR D906	M. 0	.18000	.0001	.0000
179-001010-00	OIL SLEEVING 1 MM DIA. 20MM FOR D402,20MM FOR D403,20MM FOR R914	M. 0	.00000	.0001	.0000
179-001010-00	OIL SLEEVING 1 MM DIA. 20MM FOR BR901,20MM FOR R916	M. 0	.00000	.0001	.0000
179-001010-01		0	.00000	.0000	.0000
179-403030-00	3MM DIA. SHRINKABLE TUBE FOR 130MM SOLDERING LUG,70MM FOR AC LINE CORD	0	.20000	.2750	.0550
182-224000-03	FUSE T4A 250V F901	0	1.00000	.1027	.1027
184-350606-08	AXIAL LEAD BEAD INDUCTORS FBA04HA450HA-00 (STRA. FORMAT) FB401,402,FB901	0	3.00000	.0595	.1786
190-882004-00	P.C. BOARD CRT (170792)	0	1.00000	.2967	.2967
190-882804-01	MAIN P.C.B. (040693)	0	1.00000	2.4577	2.4577
190-932500-07	POWER P.C.B.(030593)	0	1.00000	.9231	.9231
191-101000-07	1 PIN DOUBLE INSULATION WIRE L=560MM FROM POWER SWITCH '2' TO CN901 ON POWER P.C.B.	0	1.00000	.1323	.1323

** THIS SPARE LIST IS MADE FOR TECHNICAL / MAINTENANCE REFERENCE ONLY **

Print Date : 20/08/93

PRODUCT CODE : 932539-500001-GT .

Page Number : 15

DESCRIPTION : CT-M635 TEAC PAL/BG W/SCART/F.TXT/STEEREO M.BLK 240V SAA TYP

Component Part	Description / Location	Unit	Subs	Quantity Required	Unit Price	Amount
191-101001-07	1 PIN DOUBLE INSULATION WIRE L=600MM FROM POWER SWITCH '1' TO CN902 ON POWER P.C.B.		0	1.00000	.1381	.1381
191-200031-09	2 PIN SOCKET ASS'Y L=80MM FOR CN601 TO POWER SWITCH P.C.B.		0	1.00000	.0393	.0393
191-300040-09	3 PIN SOCKET ASSM'Y CN402 '1' TO CRT P.C.B.'J'		0	1.00000	.1492	.1492
191-300040-09	3 PIN SOCKET ASSM'Y CN402 '2' TO CRT P.C.B.'I'		0	.00000	.1492	.0000
191-300040-09	3 PIN SOCKET ASSM'Y CN402 '3' TO CRT P.C.B.'H'		0	.00000	.1492	.0000
191-301012-07	3 PIN SOCKET ASS'Y L=260MM CN904 '1' TO POWER PCB '1', '2' TO '2', '3' TO '4'		0	1.00000	.2472	.2472
191-501003-07	5 PIN SOCKET ASS'Y L=540MM CN307 '1' TO CRT BOARD '1', '2' TO '2', '3' TO '3'		0	1.00000	.1966	.1966
191-501003-07	5 PIN SOCKET ASS'Y L=540MM '4' TO '4', '5' TO '5'		0	.00000	.1966	.0000
504-305006-10	MACHINE SCREW 3 X 6 B/M 2-POWER SWITCH MTG., 2-IC201, 1-IC901, 1-IC103		0	6.00000	.0012	.0069
504-407010-10	MACHINE SCREW 4 X 10 B/M 2 FOR 781-882806-00 TO 781-882802-01		0	2.00000	.0042	.0085
514-400412-10	SELF-TAPPING SCREW 4 X 12 B/T (HARDEN) FOR HEAT SINK (A) TO FBT		0	1.00000	.0043	.0043
515-303310-10	SELF-TAPPING SCREW 3 X 10 W/P/A (HARDEN) FOR Q405		0	1.00000	.0029	.0029
515-303410-10	SELF-TAPPING SCREW 3 X 10 W/B/T (HARDEN) FOR Q909		0	1.00000	.0031	.0031
517-303312-10	SELF-TAPPING SCREW 3 X 12 W/A W/H=7MM (HARDEN) 2 FOR IC401, 1 FOR Q401		0	3.00000	.0031	.0092
580-101261-01	CABLE TIE L=100MM 2-CN402, 2-CN307, 12-DEGAUSSING COIL, 2-FOR CN401	PC	0	18.00000	.0037	.0658
580-101261-01	CABLE TIE L=100MM 1 FOR FBT, 1 FOR AC LINE CORD	PC	0	2.00000	.0037	.0073
630-114520-00	FIBRE WASHER FOR FBT P/N:001-228079-05		0	1.00000	.0135	.0135
746-063101-00	TEST PIN: TOTAL LENGTH 18.6MM THK:0.8MM TP104, 103	PC	0	2.00000	.0044	.0088
750-063101-00	SOLDERING LUG FOR IC401, Q402, Q904	PC	0	3.00000	.0023	.0069
750-063102-01	35MM SOLDERING LUG FOR AC LINE CORD, SPK. CONNECTOR		0	6.00000	.0087	.0519
766-686801-00	FUSE HOLDER F901		0	2.00000	.0135	.0269
779-932501-00	IRON HEAT SINK FOR IC901, IC103		0	1.00000	.0538	.0538
780-882001-01	BRASS HEAT SINK FOR IC201		0	1.00000	.3024	.3024
781-882801-01	ALUMINIUM HEAT SINK (A) FOR Q402		0	1.00000	.4575	.4575
781-882802-01	ALUMINIUM HEAT SINK (B) FOR IC401		0	1.00000	.2845	.2845

** THIS SPARE LIST IS MADE FOR TECHNICAL / MAINTENANCE REFERENCE ONLY **

Print Date : 20/08/93

PRODUCT CODE : 932539-500001-GT

Page Number : 16

DESCRIPTION : CT-M635 TEAC PAL/BG W/SCART/F.TXT/STEEREO M.BLK 240V SAA TYP

Component Part	Description / Location	Unit Subs	Quantity Required	Unit Price	Amount
781-882805-00	ALUMINIUM HEAT SINK FOR Q405	0	1.00000	.1631	.1631
781-882806-00	ALUMINIUM HEAT SINK FOR 781-882802-01	0	1.00000	.2128	.2128
781-932501-01	ALUMINIUM HEAT SINK (POWER)	0	1.00000	.6879	.6879
783-881305-00	SHIELD CAN COVER	0	1.00000	.0776	.0776
783-881313-00	SHIELD CAN	0	1.00000	.1333	.1333

ASSB PRICE : 87.4815

** THIS SPARE LIST IS MADE FOR TECHNICAL / MAINTENANCE REFERENCE ONLY **

Print Date : 20/08/93

PRODUCT CODE : 932539-500001-GT

Page Number : 17

DESCRIPTION : CT-M635 TEAC PAL/BG W/SCART/F.TXT/STEREEO M.BLK 240V SAA TYP

Component Part	Description / Location	Unit	Subs	Quantity Required	Unit Price	Amount
*** ASSEMBLY : 158-932539-50-01 NON-COM CHASSIS ASS'Y(BG W/O NTSC)						
003-131513-06	TUNER UVC6513-VC WITTIS TUNER		0	1.00000	9.8983	9.8983
012-103340-06	SEMI-FIXED RESISTOR EVND8AA 03B14 10KB VR002	PC	0	1.00000	.0548	.0548
012-501340-06	SEMI-FIXED RESISTOR EVND 8AA 03852 500B UR001,003		0	2.00000	.0548	.1096
102-671300-02	SOUND IF COIL. COILS 710256 T102		0	1.00000	.1096	.1096
102-871400-20	OSC COIL TWD710229 T001		0	1.00000	.1265	.1265
105-150101-02	FIXED INDUCTIVE COIL 15UH 10% L104		0	1.00000	.0342	.0342
105-153106-02	CHOKE COIL 15MH 10% CW-710228-153K L001		0	1.00000	.0769	.0769
105-560101-02	FIXED INDUCTOR COIL 56UH +-10%CW-560K-455-705111 L002		0	1.00000	.0342	.0342
107-105500-66	SOUND TRAP CERAMIC FILTER 5.5MHZ TPS-5.5MB MURATA CF103		0	1.00000	.1465	.1465
107-305500-16	SOUND BYPASS CERAMIC FILTER 5.5MHZ SFE-5.5MB MURATA CF102		0	1.00000	.1465	.1465
107-305740-16	SOUND BYPASS CERAMIC FILTER 5.74MHZ SFE-5.74MC MURATA CF101		0	1.00000	.3323	.3323
107-733400-66	SAW FILTER 33.4 MHZ (MURATA) SA102		0	1.00000	1.0385	1.0385
107-738916-00	SAW FILTER TSF-5316 SANYO SA101	PC	0	1.00000	1.0941	1.0941
113-100105-17	CARBON FILM RESISTOR 10 OHM 1/4W +-5% R134	PC	0	1.00000	.0029	.0029
113-101105-17	CARBON FILM RESISTOR 100 OHM 1/4W +-5% R005	PC	0	1.00000	.0029	.0029
113-102105-17	CARBON FILM RESISTOR 1K OHM 1/4W +-5% R007,008,157	PC	0	3.00000	.0029	.0087
113-103105-17	CARBON FILM RESISTOR 10K OHM 1/4W +-5% R006,010,012,014,373,374	PC	0	6.00000	.0029	.0173
113-123105-17	CARBON FILM RESISTOR 12K OHM 1/4W +-5% R001	PC	0	1.00000	.0029	.0029
113-150105-17	CARBON FILM RESISTOR 15 OHM 1/4W +-5% R102	PC	0	1.00000	.0031	.0031
113-153105-17	CARBON FILM RESISTOR 15K OHM 1/4W +-5% R016,017,116,610	PC	0	4.00000	.0029	.0115
113-182105-17	CARBON FILM RESISTOR 1.8K OHM 1/4W +-5% R349	PC	0	1.00000	.0029	.0029
113-222105-17	CARBON FILM RESISTOR 2.2K OHM 1/4W +-5% R013,015	PC	0	2.00000	.0029	.0058
113-223101-57	METAL FILM RESISTOR 22K OHM 1/4W +-1% R606	PC	0	1.00000	.0092	.0092
113-223105-17	CARBON FILM RESISTOR 22K OHM 1/4W +-5% R002	PC	0	1.00000	.0029	.0029

** THIS SPARE LIST IS MADE FOR TECHNICAL / MAINTENANCE REFERENCE ONLY **

Print Date : 20/08/93

PRODUCT CODE : 932539-500001-GT

Page Number : 18

DESCRIPTION : CT-M635 TEAC PAL/BG W/SCART/F.TXT/STEEERO M.BLK 240V SAA TYP

Component Part	Description / Location	Unit	Subs	Quantity Required	Unit Price	Amount
113-224105-17	CARBON FILM RESISTOR 220K OHM 1/4W +-5% R004,009	PC	0	2.00000	.0028	.0056
113-471105-17	CARBON FILM RESISTOR 470 OHM 1/4W +-5% R121,122,124	PC	0	3.00000	.0029	.0087
113-472005-17	CARBON FILM RESISTOR 4.7K OHM 1/16W +-5% R011	PC	0	1.00000	.0052	.0052
113-472105-17	CARBON FILM RESISTOR 4.7K OHM 1/4W +-5% R345,348	PC	0	2.00000	.0029	.0058
113-479605-77	METAL OXIDE FILM RESISTOR 4.7 OHM 5W +-5% R436		0	1.00000	.1519	.1519
113-563105-17	CARBON FILM RESISTOR 56K OHM 1/4W +-5% R003	PC	0	1.00000	.0029	.0029
123-102350-90	CERAMIC CAP. 0.001 MFD 50V +-10% (B TYPE) C103,110,148	PC	0	3.00000	.0127	.0380
123-103370-90	CERAMIC CAP. 0.01 MFD 50V +80 -20% C016,017,009,339,319,X301		0	6.00000	.0098	.0588
123-209340-93	CERAMIC CAP. 2PF 50V +-5% (NPO) C378	PC	0	1.00000	.0145	.0145
123-222466-41	CERAMIC CAP. 0.0022 MFD 400V +-20% ECK-DNS222MEX MATSUSHITA C917	PC	0	1.00000	.1923	.1923
123-223370-90	CERAMIC CAP. 0.022 MFD 50V +80-20% C002		0	1.00000	.0128	.0128
123-471350-60	CERAMIC CAP. 470 PF 50V +-10% (SL TYPE) C023,024	PC	0	2.00000	.0201	.0403
125-361120-11	POLYSTYRENE CAP. 360PF 125V +-5% C150,149		0	2.00000	.0346	.0692
126-103071-01	MYLAR CAP. 0.01 MFD 50V +-10% C015	PC	0	1.00000	.0115	.0115
126-104071-01	MYLAR CAP. 0.1 MFD 50V +-10% C004,012	PC	0	2.00000	.0260	.0519
126-224071-01	MYLAR CAP 0.22 MFD 50V +-10% C006,007	PC	0	2.00000	.0471	.0942
126-473071-01	MYLAR CAP. 0.047 MFD 50V +-10% C010	PC	0	1.00000	.0192	.0192
126-474071-01	MYLAR CAP. 0.47 MFD 50V +-10% C014	PC	0	1.00000	.0656	.0656
126-562071-01	MYLAR CAP. 0.0056 MFD 50V +-10% C020	PC	0	1.00000	.0104	.0104
127-106042-23	ELECT.CAP. BIPOLAR 10MFD 16V +-20% C018,019	PC	0	2.00000	.0507	.1014
127-107042-03	ELECT. CAP. 100 MFD 16V +-20% C003	PC	0	1.00000	.0346	.0346
127-474072-03	ELECT. CAP. 0.47 MFD 50V +-20% C013	PC	0	1.00000	.0240	.0240
127-475052-03	ELECT. CAP. 4.7 MFD 25V +-20% C001,021,022	PC	0	3.00000	.0240	.0721
127-476042-03	ELECT. CAP. 47 MFD 16V +-20% C005,011	PC	0	2.00000	.0240	.0481
127-477042-03	ELECT. CAP. 470 MFD 16V +-20% C008	PC	0	1.00000	.0840	.0840

** THIS SPARE LIST IS MADE FOR TECHNICAL / MAINTENANCE REFERENCE ONLY **

Print Date : 20/08/93

PRODUCT CODE : 932539-500001-GT

Page Number : 19

DESCRIPTION : CT-M635 TEAC PAL/BG W/SCART/F.TXT/STEREO M.BLK 240V SAA TYP

Component Part	Description / Location	Unit	Subs	Quantity Required	Unit Price	Amount
130-134148-01	SILICON DIODE IN4148 D311,312,313		0	3.00000	.0098	.0294
130-410120-02	ZENER DIODE 12V HZ12A2 ZD307		0	1.00000	.0246	.0246
130-512044-00	LED 3MM RED 204HDC LED601,602,603		0	3.00000	.0298	.0894
131-231815-25	TRANSISTOR 2SC1815 TOSHIBA Q306		0	1.00000	.0260	.0260
133-102421-31	I.C. ST24C02AB1 SGS IC602		0	1.00000	.8187	.8187
133-203803-33	IC TDA3803A PHILIPS IC001		0	1.00000	3.1935	3.1935
133-304052-14	IC TC4052BP TOSHIBA IC002		0	1.00000	.2679	.2679
160-103255-27	PIN CONNECTOR 3 PINS PLUG CN002,003,004,304,305,306	PC	0	6.00000	.0231	.1385
160-104255-27	PIN CONNECTOR 4 PINS PLUG CN001,303,603	PC	0	3.00000	.0308	.0923
161-683702-22	21 PIN SOCKET J901		0	1.00000	.4038	.4038
171-550100-00	AC LINE CORD(END-CUT)SAA APP'D		0	1.00000	.7212	.7212
172-626014-43	UL 1007 TOP COAT WIRE AWG 26 140MM ORANGE 10 X 10 MM MAIN P.C.B. 'S' TO 'S','T' TO 'T','U' TO 'U'		0	3.00000	.0043	.0128
172-726000-99	BARE WIRE 54MM W001-006	M	0	.33000	.0092	.0030
190-832000-09	STEREO P.C.B. (121192)		0	1.00000	.2827	.2827
190-932500-10	P.C. BOARD LED (200493)		0	1.00000	.0385	.0385
191-301204-07	3 PIN SOCKET ASS'Y CN004 '1' TO CN306 '1','2' TO '2','3' TO '3'		0	1.00000	.1077	.1077
191-301205-07	3 PINS SOCKET ASS'Y L=100MM CN002 '1' TO CN304 '1','2' TO '2','3' TO '3'		0	1.00000	.0971	.0971
191-301206-07	3 PINS SOCKET ASS'Y L=140MM CN003 '1' TO CN305 '1','2' TO '2','3' TO '3'		0	1.00000	.0994	.0994
191-401004-07	4 PINS SOCKET ASS'Y L=60MM CN603 '1' TO LED P.C.B. '1','2' TO LED P.C.B. '2'		0	1.00000	.0696	.0696
191-401004-07	4 PINS SOCKET ASS'Y L=60MM CN603 '3' TO LED P.C.B. '3','4' TO LED P.C.B. '4'		0	.00000	.0696	.0000
191-401201-07	4 PINS SOCKET ASS'Y L=60MM CN001 '1' TO CN303 '1','2' TO '2','3' TO '3','4' TO '4'		0	1.00000	.1265	.1265
630-115512-00	FIBER WASHER 11 X 5.5 X 1.2 MM FOR STEREO BOARD		0	4.00000	.0048	.0192
631-881301-00	FIBRE (FOR SHIELD PLATE)		0	1.00000	.0654	.0654
746-063101-00	TEST PIN:TOTAL LENGTH 18.6MM THK:0.8MM TP001,002,003	PC	0	3.00000	.0044	.0133
783-881303-00	SHIELD PLATE #L-299		0	1.00000	.0712	.0712
929-932101-00	LED HOLDER BKT FOR LED601,LED602,LED603		0	1.00000	.0135	.0135
938-882001-00	SECAM BOARD HOLDER FOR STEREO BOARD		0	4.00000	.0346	.1385

ASSB PRICE : 21.4590

** THIS SPARE LIST IS MADE FOR TECHNICAL / MAINTENANCE REFERENCE ONLY **

Print Date : 20/08/93

PRODUCT CODE : 932539-500001-GT

Page Number : 20

DESCRIPTION : CT-M635 TEAC PAL/BG W/SCART/F.TXT/STEEREO M.BLK 240V SAA TYP

Component Part	Description / Location	Unit Subs	Quantity Required	Unit Price	Amount
*** ASSEMBLY : 159-932539-50-00 COMMON PART FOR CASING ASS'Y (BG)					
008-600251-05	DEGAUSSING COIL 60T (W/FIVE LAYERS OF TAPE) L905	0	1.00000	.0000	.0000
166-265027-48	SPEAKER 4 X 2-3/4" 16 OHM 5W C1073 OFC	0	2.00000	1.7692	3.5385
172-830120-99	FLAT BRIDED WIRE CRT GROUND	M 0	2.40000	.1365	.3277
179-105000-00	UL PVC TUBE 5MM DIA 500MM FOR LEFT SPEAKER,700MM FOR RIGHT SPEAKER	M. 0	1.20000	.1865	.2238
191-101007-07	1 PIN SOCKET ASS'Y L=350MM FOR CN501 TO CRT GND	0	1.00000	.0852	.0852
191-201004-07	2 PINS SOCKET ASS'Y L=500MM CN202 '2' TO LEFT SPK. '+', '3' TO LEFT SPK. '-'	0	1.00000	.0644	.0644
191-201006-07	2 PINS SOCKET ASS'Y L=700MM CN201 '1' TO RIGHT SPK. '+', '2' TO RIGHT '-'	0	1.00000	.0692	.0692
509-305010-00	MACHINE SCREW 3 X 10 KM BLACK JACK PLATE MTG.	0	2.00000	.0023	.0045
514-400425-10	SELF-TAPPING SCREW 4 X 25 B/T (HARDEN) 20 FOR CRT MTG.,11 FOR CAB. MTG.	PC 0	31.00000	.0058	.1788
515-303408-10	SELF-TAPPING SCREW 3 X 8 W/B/T (HARDEN) 8 FOR SPEAKER MTG.,6 FOR POWER BOARD MTG.	0	14.00000	.0035	.0485
515-303410-10	SELF-TAPPING SCREW 3 X 10 W/B/T (HARDEN) 12 FOR MAIN P.C.B.,2 FOR SPEAKER WIRE	0	14.00000	.0031	.0431
515-306412-10	SELF-TAPPING SCREW 3 X 12 W/B/T (HARDEN) 1 FOR AC LINE CORD MTG.	0	1.00000	.0073	.0073
580-101261-01	CABLE TIE L=100MM FOR SPEAKER CN201,CN202	PC 0	1.00000	.0037	.0037
622-882801-00	FELT ONE SIDE W/TAPE (120 X 10 X 0.5T) 16 FOR FRONT CABINET,9 FOR BACK CABINET	0	25.00000	.0288	.7212
630-173016-00	FIBRE WASHER OD=17 ID=3 T=1.6 AC LINE CORD MTG.	0	1.00000	.0106	.0106
728-932501-00	CRT MTG. BRACKET W/NUT CRT MTG.	0	4.00000	.4476	1.7903
744-881301-00	SPRING FOR C.R.T. MOUNTING 5.2 X 42 X 0.6MM	0	2.00000	.0481	.0962
777-932501-00	POWER KNOB SPRING IN DIM 10MM X L12MM FOR POWER KNOB	0	1.00000	.0077	.0077
834-230801-00	RUBBER WASHER OD=23 , ID=8 , T=1 2 FOR CRT MTG. (DOWII)	0	2.00000	.0192	.0385
834-230802-00	RUBBER WASHER OD=23, ID=8, T=2 FOR CRT MTG. (UP 2 PCS. DOWN 2 PCS.)	0	4.00000	.0250	.1000
840-051030-11	RUBBER PAD (ONE SIDE W/TAPE) FOR FRONT CABINET	0	2.00000	.0077	.0154
902-932501-01	BACK CABINET	0	1.00000	5.4558	5.4558
920-932501-01	MTG. BRACKET	0	1.00000	.8442	.8442
939-881302-00	POWER SWITCH ADAPTOR	0	1.00000	.0154	.0154
948-882003-00	DOOR LOCKER	0	1.00000	.1923	.1923
948-882100-00	DEGAUSSING COIL MTG. CLIP FOR CRT MTG.	0	4.00000	.0212	.0846
954-882801-00	STUD POST FRONT CABINET	0	8.00000	.0000	.0001

** THIS SPARE LIST IS MADE FOR TECHNICAL / MAINTENANCE REFERENCE ONLY **

Print Date : 20/08/93

PRODUCT CODE : 932539-500001-GT

Page Number : 21

DESCRIPTION : CT-M635 TEAC PAL/BG W/SCART/F.TXT/STEEREO M.BLK 240V SAA TYP

Component Part	Description / Location	Unit Subs	Quantity Required	Unit Price	Amount
954-882803-00	HIGH VOLTAGE CABLE SPACER FOR CRT	0	3.00000	.0000	.0001

ASSB PRICE : 13.9669

** THIS SPARE LIST IS MADE FOR TECHNICAL / MAINTENANCE REFERENCE ONLY **

Print Date : 20/08/93

PRODUCT CODE : 932539-500001-GT

Page Number : 22

DESCRIPTION : CT-M635 TEAC PAL/BG W/SCART/F.TXT/STEEEREO M.BLK 240V SAA TYP

Component Part	Description / Location	Unit Subs	Quantity Required	Unit Price	Amount
*** ASSEMBLY : 159-932539-50-02 NON-COMMON PART FOR CASING ASS'Y (M.BLK)					
002-125025-40	25"CRT S/H #A59ECY13X25 VIDEO COLOR	0	1.00000	187.5462	187.5462
186-227503-14	BATTERY 3A	0	2.00000	.0933	.1865
191-400042-07	4 PINS SOCKET ASS'Y AWG 20 420MM FOR CRT	0	1.00000	.2160	.2160
515-303410-10	SELF-TAPPING SCREW 3 X 10 W/B/T (HARDEN) FOR SPEAKER COVER PLATE	0	4.00000	.0031	.0123
622-882801-00	FELT ONE SIDE W/TAPE (120 X 10 X 0.5T)	0	2.00000	.0288	.0577
703-932501-01	SPEAKER GRILLE (LEFT) BLACK W/ONE SIDE SPRAY	0	1.00000	1.2947	1.2947
703-932502-01	SPEAKER GRILLE (RIGHT) BLACK W/ONE SIDE SPRAY	0	1.00000	1.2947	1.2947
884-882020-02	JACK COVER-TEAC DESIGN WHI SS.W/21 PIN SOCKET HOLE	0	1.00000	.1577	.1577
884-932504-02	PRESET PLATE - TEAC DESIGN L.GREY S.S. (13 KEY HOLES)	0	1.00000	.1769	.1769
887-882801-44	RATING PLATE - TEAC DESIGN 240V	0	1.00000	.1308	.1308
889-882801-00	COVER PLATE FOR 1-1/2" SPEAKER HOLE COVER	0	2.00000	.0385	.0769
900-932501-01	FRONT CABINET - MATT BLACK	0	1.00000	6.5404	6.5404
917-932501-04	REMOTE LENS - TEAC DESIGN L. GREY S.S. W/STEREO I/II	0	1.00000	.1154	.1154
919-932501-04	PRESET DOOR - TEAC DESIGN L. GREY S.S.	0	1.00000	.2750	.2750
980-882008-01	JACK PLATE W/BRASS INSERT (521-882001-00 2 PCS./SET)	0	1.00000	.1769	.1769
991-932501-01	POWER KNOB - BLACK MOULDED	0	1.00000	.0250	.0250

ASSB PRICE : 198.2830

** THIS SPARE LIST IS MADE FOR TECHNICAL / MAINTENANCE REFERENCE ONLY **

Print Date : 20/08/93

PRODUCT CODE : 932539-500001-GT

Page Number : 23

DESCRIPTION : CT-M635 TEAC PAL/BG W/SCART/F.TXT/STEEERO M.BLK 240V SAA TYP

Component Part	Description / Location	Unit	Subs	Quantity Required	Unit Price	Amount
*** ASSEMBLY : 160-000400-70-01 NON-COM FOR FASTEXT(ENG)ASS'Y(W.EUROPE)						
105-399101-02	FIXED INDUCTIVE COIL 3.9 UH L801		0	1.00000	.0308	.0308
113-100105-17	CARBON FILM RESISTOR 10 OHM R803	PC	0	1.00000	.0029	.0029
113-101105-17	CARBON FILM RESISTOR 100 OHM R804,805,806,808,801,802	PC	0	6.00000	.0029	.0173
113-102105-17	CARBON FILM RESISTOR 1K OHM R807,851,820	PC	0	3.00000	.0029	.0087
113-103105-17	CARBON FILM RESISTOR 10K OHM R852	PC	0	1.00000	.0029	.0029
113-105001-67	METAL FILM RESISTOR 1M OHM R812	PC	0	1.00000	.0190	.0190
113-152105-17	CARBON FILM RESISTOR 1.5K OHM R850	PC	0	1.00000	.0031	.0031
113-182105-17	CARBON FILM RESISTOR 1.8K OHM R816,817,814,815	PC	0	4.00000	.0029	.0115
113-273105-17	CARBON FILM RESISTOR 27K OHM R810	PC	0	1.00000	.0029	.0029
113-332105-17	CARBON FILM RESISTOR 3.3K OHM R822,809	PC	0	2.00000	.0029	.0058
113-391105-17	CARBON FILM RESISTOR 390 OHM R821	PC	0	1.00000	.0029	.0029
113-472105-17	CARBON FILM RESISTOR 4.7K OHM R855	PC	0	1.00000	.0029	.0029
113-561105-17	CARBON FILM RESISTOR 560 OHM R854	PC	0	1.00000	.0028	.0028
113-681105-17	CARBON FILM RESISTOR 680 OHM R853	PC	0	1.00000	.0031	.0031
123-100340-60	CERAMIC CAP. 10PF +-5% 50V C802 (SL TYPE)	PC	0	1.00000	.0107	.0107
123-102350-90	CERAMIC CAP. 0.001 MFD 50V C801 +-10% (B TYPE)	PC	0	1.00000	.0127	.0127
123-104270-90	CERAMIC CAP. 0.1 MFD 25V +80 C803,807,810,851,814 -20%		0	5.00000	.0285	.1423
123-150340-93	CERAMIC CAP. 15 PF 50V +-5% C808 (NPO)	PC	0	1.00000	.0145	.0145
123-220340-93	CERAMIC CAP. 22 PF 50V +-5% C812,815 (NPO)	PC	0	2.00000	.0144	.0289
126-104071-01	MYLAR CAP. 0.1 MFD 50V +-10% C804,809,850	PC	0	3.00000	.0260	.0779
126-223071-01	MYLAR CAP. 0.022 MFD 50V +-10% C806	PC	0	1.00000	.0135	.0135
127-105072-03	ELECT. CAP. 1 MFD 50V +-20% C816	PC	0	1.00000	.0240	.0240
127-107042-03	ELECT. CAP. 100 MFD 16V +-20% C805,813	PC	0	2.00000	.0346	.0692
127-477042-03	ELECT. CAP. 470 MFD 16V +-20% C818	PC	0	1.00000	.0840	.0840

** THIS SPARE LIST IS MADE FOR TECHNICAL / MAINTENANCE REFERENCE ONLY **

Print Date : 20/08/93

PRODUCT CODE : 932539-500001-GT

Page Number : 24

DESCRIPTION : CT-M635 TEAC PAL/BG W/SCART/F.TXT/STEEERO M.BLK 240V SAA TYP

Component Part	Description / Location	Unit	Subs	Quantity Required	Unit Price	Amount
130-134148-01	SILICON DIODE IN4148 D801,805		0	2.00000	.0098	.0196
131-211015-00	TRANSISTOR 2SA1015 TOSHIBA Q802		0	1.00000	.0282	.0282
131-231815-25	TRANSISTOR 2SC1815 TOSHIBA Q301		0	1.00000	.0260	.0260
133-108461-33	PHILIPS IC MAB8461 IC804		0	1.00000	5.7000	5.7000
133-135246-33	I.C. SAA5246AP/E PHILIPS (M6) IC801		0	1.00000	10.4058	10.4058
133-306264-00	I.C. HY6264LP-10 HYUNDAI IC802		0	1.00000	2.0812	2.0812
137-270000-30	CRYSTAL 27 MHZ NDK X801		0	1.00000	.4350	.4350
137-600000-20	CRYSTAL 6.0 MHZ X802		0	1.00000	.4500	.4500
160-103255-27	PIN CONNECTOR 3 PINS PLUG CN802,803,602,302	PC	0	4.00000	.0231	.0923
160-106255-27	PIN CONNECTOR 6 PINS WAFER (SHS) S11-W CN801,301	PC	0	2.00000	.0462	.0923
172-726000-99	BARE WIRE 54MM W808-809,812-813,815-816,818-820	M	0	.27500	.0092	.0025
190-882004-05	TELETEXT P.C.B. (110393)		0	1.00000	.3288	.3288
191-301202-07	3 PIN SOCKET ASSM'Y CN602 TO CN803		0	1.00000	.0985	.0985
191-301203-07	3 PIN SOCKET ASSM'Y CN302 TO CN802		0	1.00000	.1023	.1023
191-601201-00	6 PIN SOCKET ASS'Y CN301 TO CN801		0	1.00000	.2135	.2135
514-303408-10	SELF-TAPPING SCREW 3 X 8 B/T (HARDEN) 2 FOR TELETEXT BOARD MTG.		0	2.00000	.0021	.0042

ASSB PRICE : 20.6744

** THIS SPARE LIST IS MADE FOR TECHNICAL / MAINTENANCE REFERENCE ONLY **

Print Date : 20/08/93

PRODUCT CODE : 932539-500001-GT

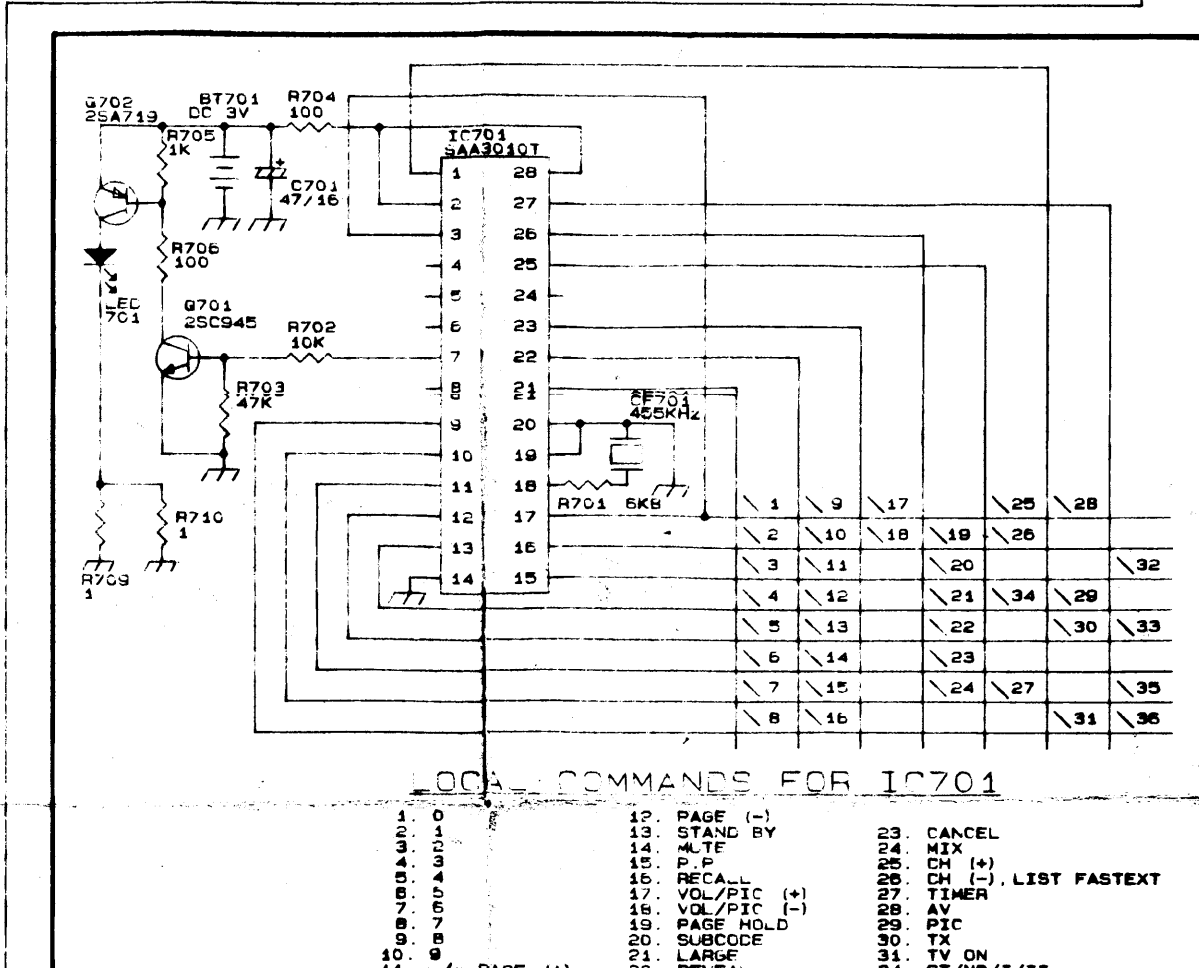
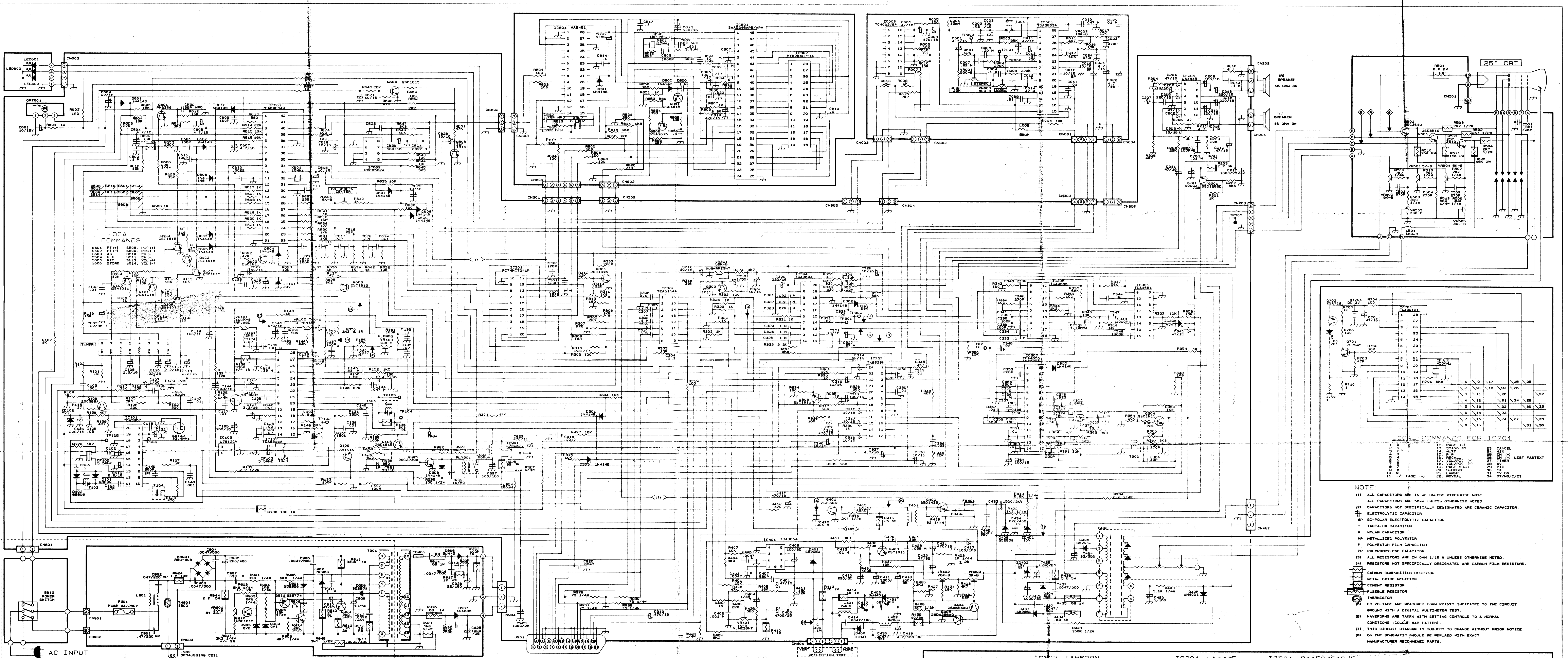
Page Number : 25

DESCRIPTION : CT-M635 TEAC PAL/BG W/SCART/F.TXT/STEEREO M.BLK 240V SAA TYP

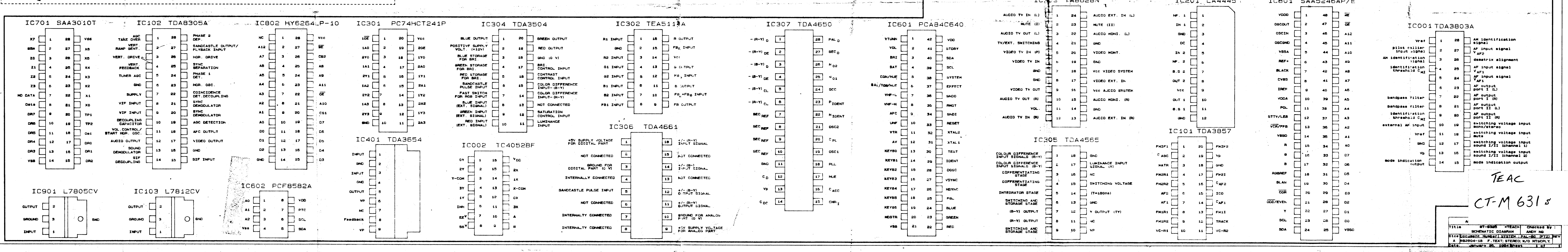
Component Part	Description / Location	Unit	Subs	Quantity Required	Unit Price	Amount
*** ASSEMBLY : 163-932539-50-02 NON-COM PART FOR PACKING ASS'Y (BG)						
610-932501-03	GIFT BOX - TEAC DESIGN		0	1.00000	3.2096	3.2096
663-230161-93	SERIAL NO.LABEL - O/C:161/93		0	2.00000	.0071	.0142
	1 PC STUCK ON CTN, 1 PC STUCK ON RATING PLATE					
670-932500-10	INSTRUCTION MANUAL - TEAC DESIGN (40 PROG.)		0	1.00000	.1538	.1538
678-881301-04	SYSTEM LABEL - PAL BG		0	1.00000	.0062	.0062
678-932501-03	SCREEN STICKER - TEAC DESIGN		0	1.00000	.4673	.4673
682-230161-93	DATE CODE LABEL - OC:GT-161/93		0	1.00000	.0027	.0027
690-882039-01	WARRANTY CARD - TEAC DESIGN		0	1.00000	.1538	.1538
693-932501-01	EAN CODE LABEL		0	1.00000	.0077	.0077
800-932501-00	POLYFOAM - TOP LEFT		0	1.00000	.3462	.3462
800-932502-00	POLYFOAM - TOP RIGHT		0	1.00000	.3462	.3462
800-932503-00	POLYFOAM - BOTTOM LEFT		0	1.00000	.4038	.4038
800-932504-00	POLYFOAM - BOTTOM RIGHT		0	1.00000	.4038	.4038
810-041004-13	POLYBAG 4" X 10" X 0.04MM W/RE-CYCLING MARK FOR HANDSET		0	1.00000	.0062	.0062
810-051104-13	POLYBAG 5" X 11" X 0.04 MM W/ RE-CYCLING MARK FOR AC LINE CORD		0	1.00000	.0079	.0079
810-091504-13	POLYBAG 9" X 15" X 0.04MM W/ RE-CYCLING MARK FOR INSTRUCTION MANUAL		0	1.00000	.0163	.0163
810-454504-14	POLYBAG 45"X45"X0.04MM W/PUNCHHOLE/RE-CYCLING MARK (P/O MAT) FOR UNIT		0	1.00000	.2423	.2423
826-362005-00	FOAM SHEET - 36" X 20" X 0.5MMTHK. FOR UNIT		0	2.00000	.1000	.2000

ASSB PRICE : 5.9881

TOTALA PRICE : 351.1763



- NOTE:
- (1) ALL CAPACITORS ARE IN μ F UNLESS OTHERWISE NOTED
 - (2) ALL CAPACITORS ARE 50V UNLESS OTHERWISE NOTED
 - (3) CAPACITORS NOT SPECIFICALLY DESIGNATED ARE CERAMIC CAPACITORS
 - (4) ELECTROLYTIC CAPACITOR
 - (5) 50% TOLERANCE ELECTROLYTIC CAPACITOR
 - (6) TANTALUM CAPACITOR
 - (7) MYLAR CAPACITOR
 - (8) METALLIZED POLYESTER
 - (9) POLYESTER FILM CAPACITOR
 - (10) POLYPROPYLENE CAPACITOR
 - (11) ALL RESISTORS ARE IN OHM 1/16 W UNLESS OTHERWISE NOTED
 - (12) RESISTORS NOT SPECIFICALLY DESIGNATED ARE CARBON FILM RESISTORS
 - (13) CARBON COMPOSITION RESISTOR
 - (14) METAL OXIDE RESISTOR
 - (15) THERMISTOR
 - (16) FUSIBLE RESISTOR
 - (17) DC VOLTAGE ARE MEASURED FROM POINTS INDICATED TO THE CIRCUIT
 - (18) WAVEFORMS ARE TAKEN WITH BETHEM CONTROLS TO A NORMAL CONDITION (COLOR BAR PATTERN)
 - (19) THIS CIRCUIT DIAGRAM IS SUBJECT TO CHANGE WITHOUT PRIOR NOTICE
 - (20) ON THE SCHEMATIC SHOULD BE REPLACED WITH EXACT MANUFACTURER RECOMMENDED PARTS



TEAC
CT-M 631 S